

Alva TT v2 and Alva ST Turntables

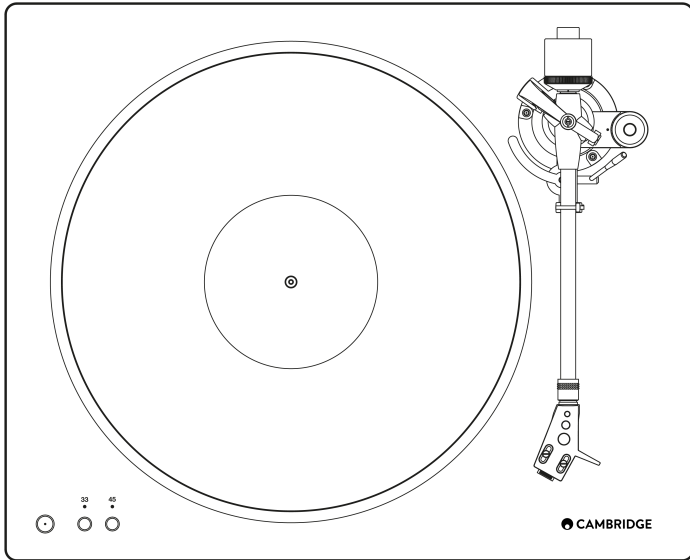
Manual Generated: 22/04/2022 - 11:00

Table of Contents

Alva TT v2 and Alva ST Turntables	3
Introduction	4
Top view	5
Rear view	6
Setting up the Alva ST	7
Setting up the Alva TT v2	12
Getting connected	16
Operating instructions	18
Technical specifications	19
Troubleshooting	23

Alva TT v2 and Alva ST Turntables

Last updated: April 21, 2022 03:19. Revision #3805



User's Manual

Introduction

Last updated: April 21, 2022 03:19. Revision #3815

This guide is designed to make installing and using this product as easy as possible. Information in this document has been carefully checked for accuracy at the time of printing; however, Cambridge Audio's policy is one of continuous improvement, therefore design and specifications are subject to change without prior notice.

This document contains proprietary information protected by copyright. All rights are reserved. No part of this manual may be reproduced by any mechanical, electronic or other means, in any form, without prior written permission of the manufacturer. All trademarks and registered trademarks are the property of their respective owners.

© Copyright Cambridge Audio Ltd .

Qualcomm is a trademark of Qualcomm Incorporated, registered in the United States and other countries, used with permission. aptX is a trademark of Qualcomm Technologies International, Ltd., registered in the United States and other countries, used with permission.

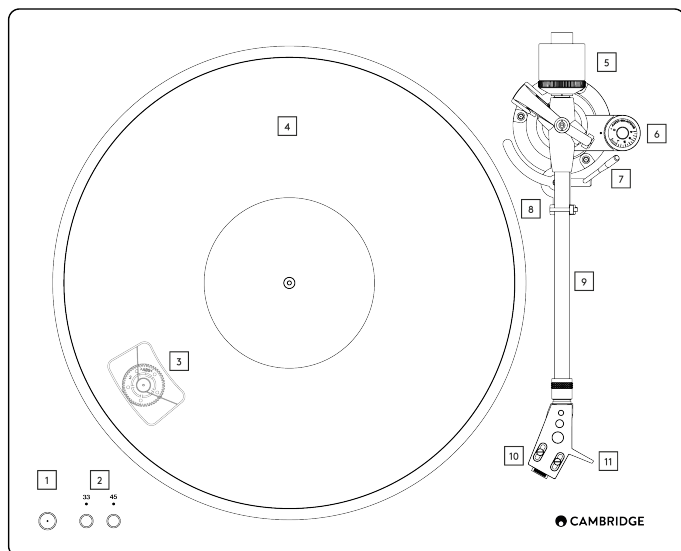
Qualcomm aptX is a product of Qualcomm Technologies International, Ltd.

The Bluetooth® word mark and logos are registered trademarks owned by the Bluetooth SIG, Inc. and any use of such marks by Audio Partnership Plc is under license. Other trademarks and trade names are those of their respective owners.

For upcoming news on future products, software updates and exclusive offers, make sure you register your product at <http://www.cambridgeaudio.com/register>

Top view

Last updated: April 5, 2022 02:48. Revision #3651



1. Standby/On

Switches the unit between Standby mode (indicated by the dim LED) and On (indicated by the bright LED).

2. Record speed buttons and start/stop

3. Belt drive motor (Alva ST only)

4. Main platter

5. Tonearm counterweight

Used to adjust tracking force (downforce).

6. Anti-Skating dial

7. Tonearm lift lever

8. Tonearm rest

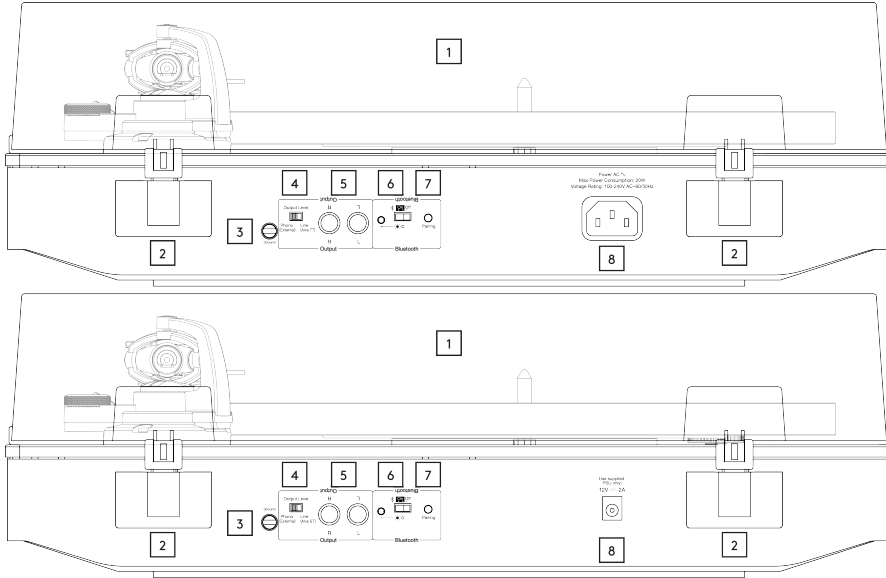
9. Tonearm

10. Fitted Cambridge Audio MC cartridge

11. Headshell with finger lift

Rear view

Last updated: April 5, 2022 03:44. Revision #3652



1. Lid

2. Lid hinges and fasteners

3. Ground

4. Output level (Phone/Line) switch

With the switch position set to Line (Alva TT/ST), the internal phono stage will be used.
With the switch position set to Phono (External), an external phono stage needs to be used.

5. Signal output sockets

Caution - You must connect appropriately based on output level switch position.

6. Bluetooth status with LED On/Off switch

7. Bluetooth pairing button

8. Power socket

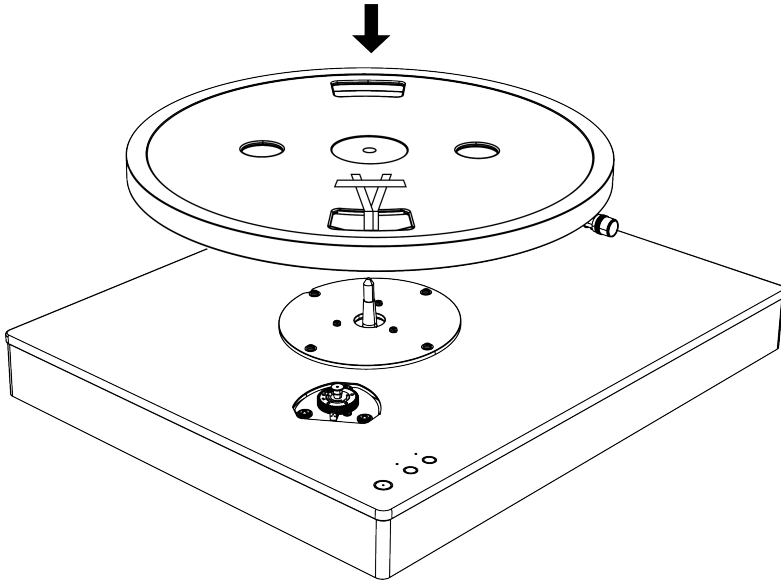
Alva TT v2: AC power socket

Alva ST: DC 12V 2.0A power adaptor socket

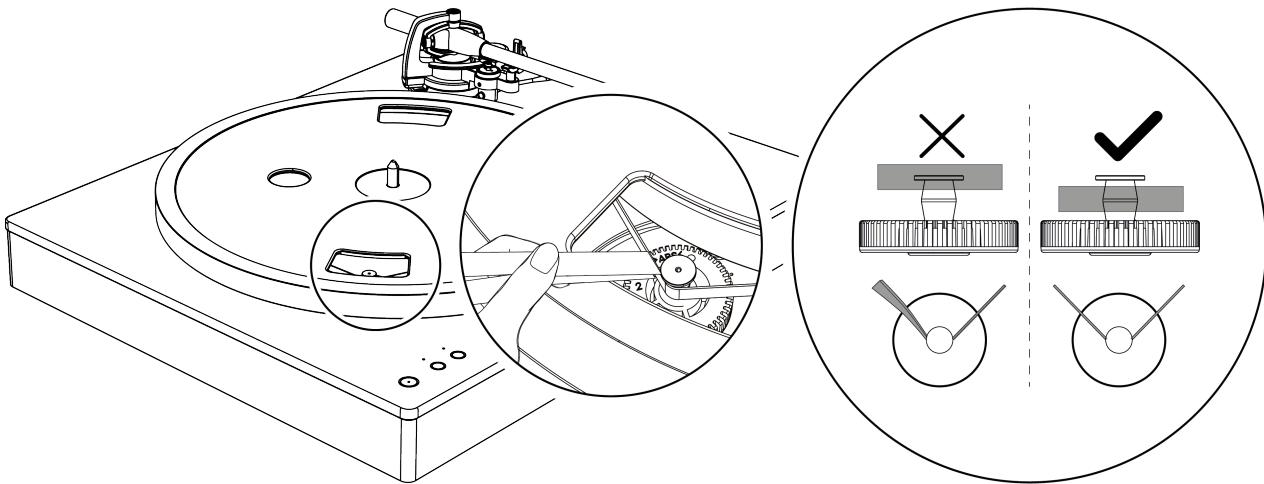
Setting up the Alva ST

Last updated: April 5, 2022 03:48. Revision #3653

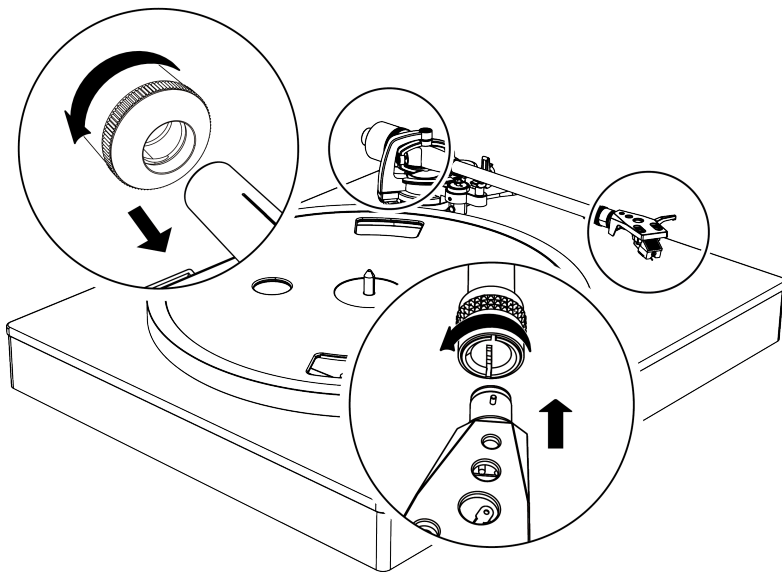
1. Place the platter on the turntable.



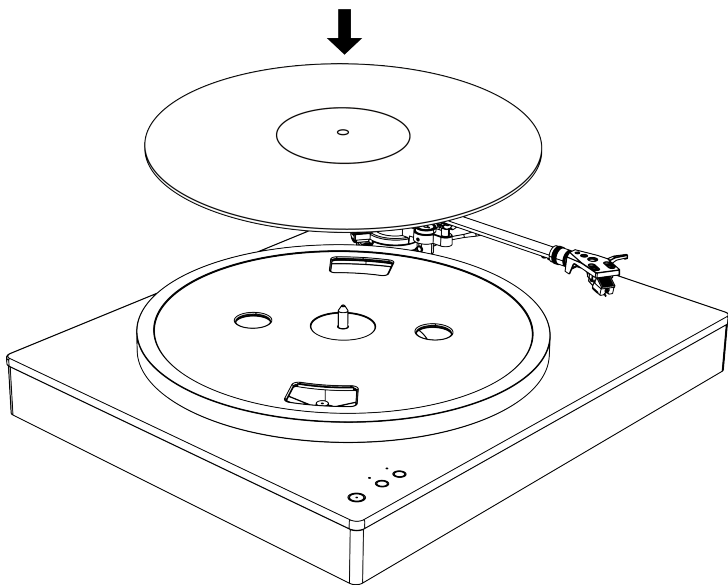
2. Install the belt drive. Make sure that the belt is installed properly around the motor.



3. Push and rotate counterweight onto tonearm and then carefully insert the headshell into the tonearm.



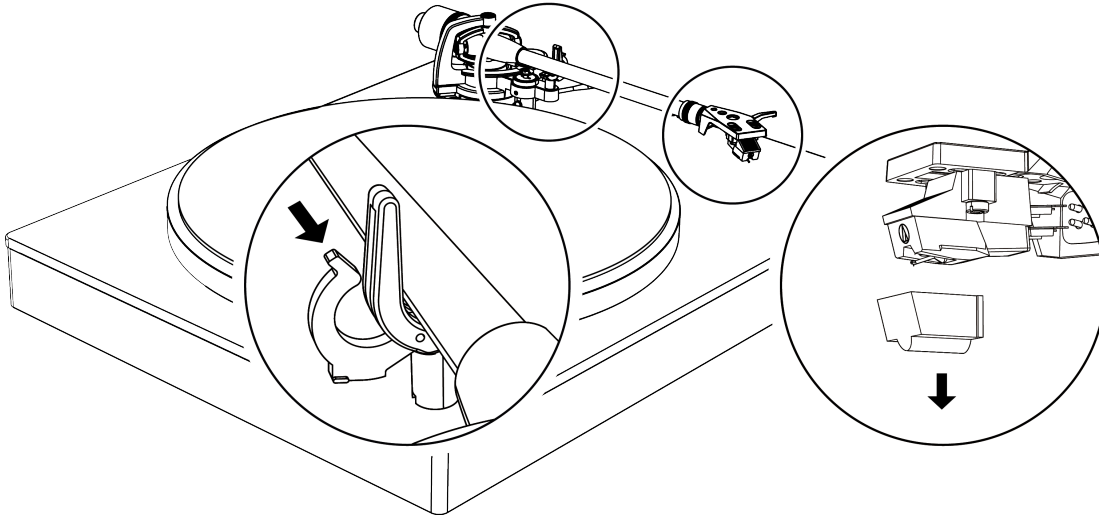
4. Place the rubber mat on the turntable.



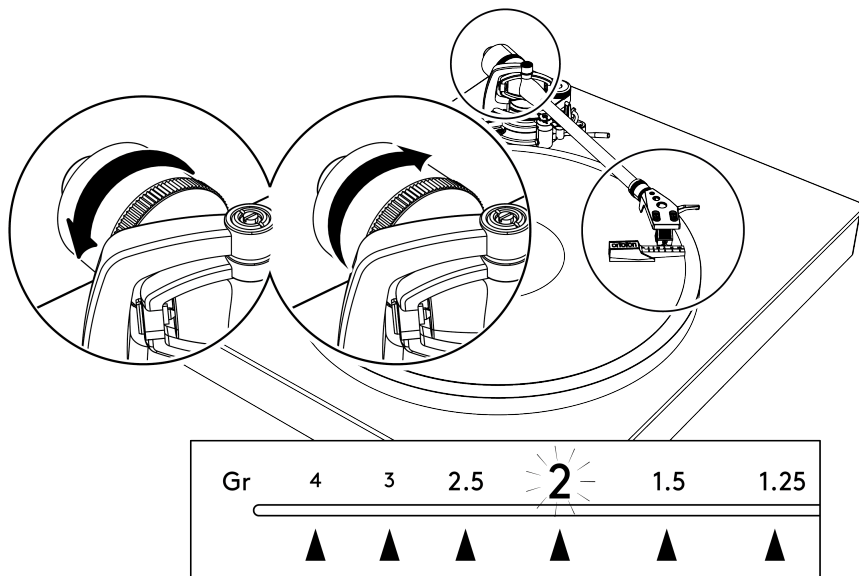
5. Release tonearm from rest and remove the stylus guard.

Important notes:

- Take care when handling the cartridge. Lower gently onto the platter, do not drop.
- Make sure that the Anti-Skate dial is set to '0'.

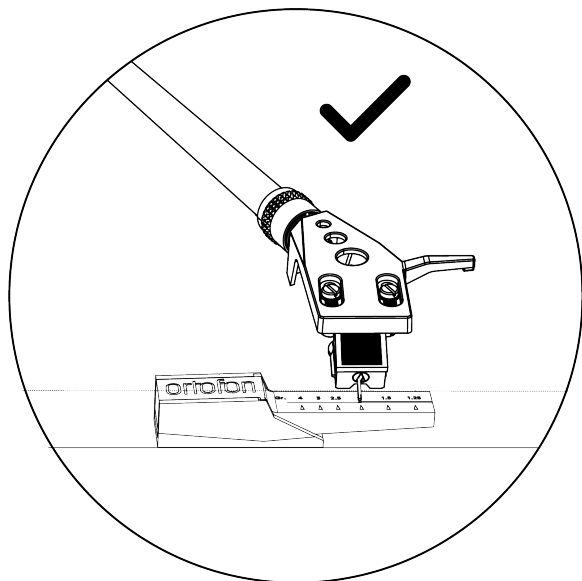


6. Place tonearm force gauge on the platter and carefully lower stylus onto "2".



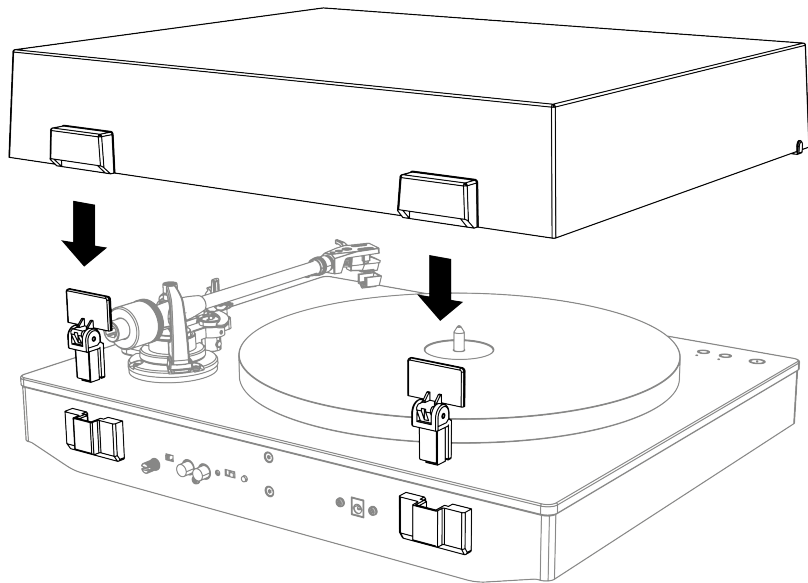
Adjusting the counterweight ensures the pressure the stylus applies to the record is correct. Too much pressure can cause distortion and lost information as well as wear to your records. Too little pressure and the stylus will jump and potentially damage your records.

Return the arm to its armrest to adjust the counterweight. This part of the process requires care and patience. Rotate anti-clockwise to increase balance weight or clockwise to decrease balance weight.



Adjust the counterweight until the stylus force gauge is in balance. Once the stylus is in balance, return the tonearm to its armrest. The anti-skate dial should be set to match the tracking force of the cartridge. Your factory-fitted cartridge has a tracking force of '2'.

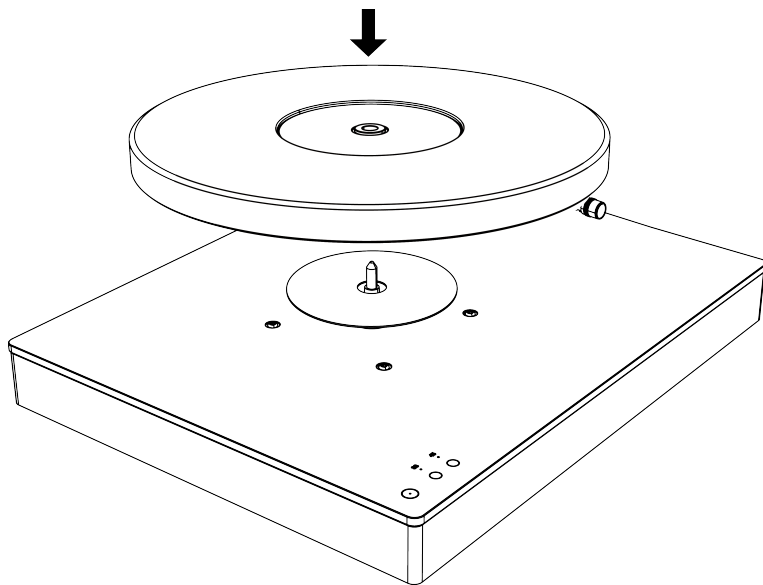
7. Connect hinges to the turntable and insert lid.



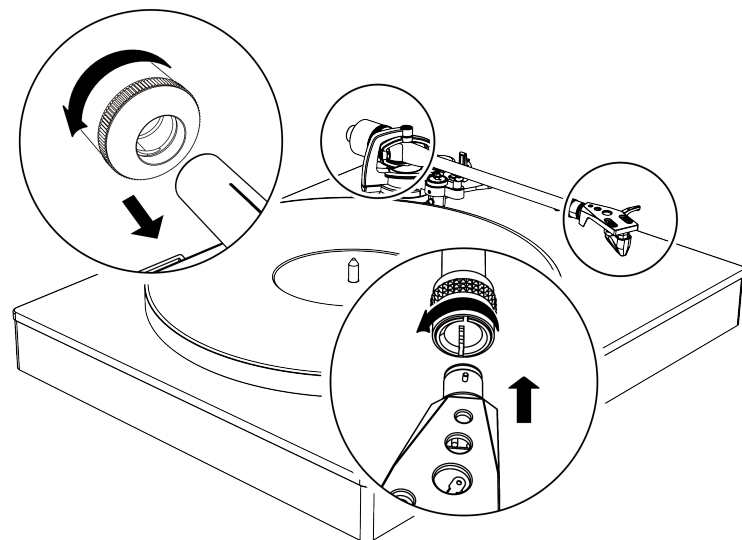
Setting up the Alva TT v2

Last updated: April 5, 2022 03:49. Revision #3654

1. Place the platter on the turntable.



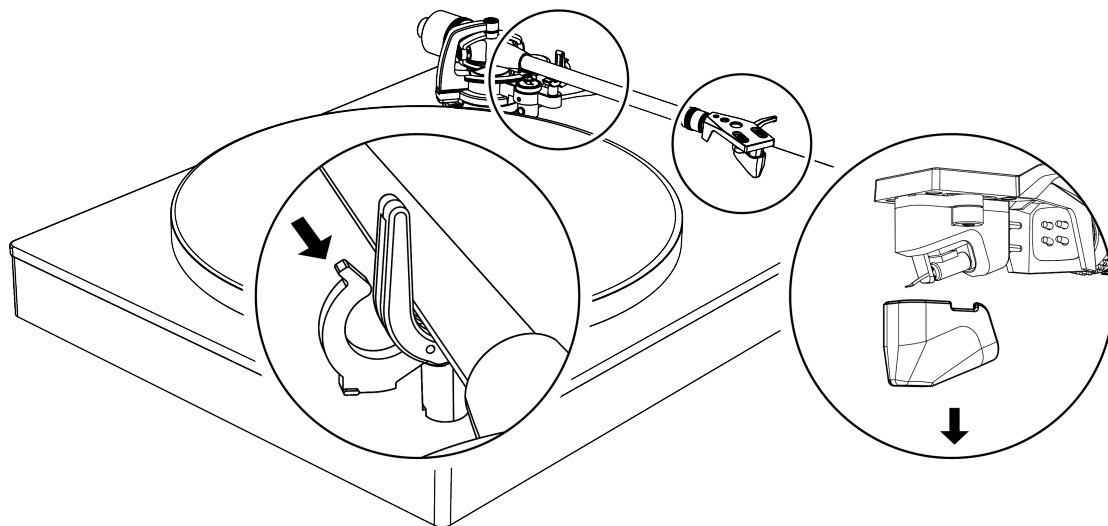
2. Push and rotate counterweight onto tonearm and then carefully insert the headshell into the tonearm.



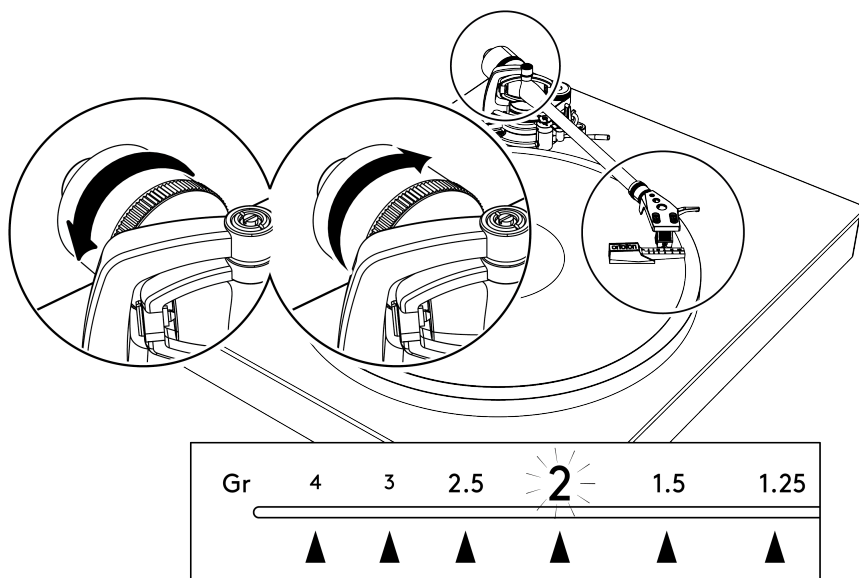
3. Release tonearm from rest and remove the stylus guard.

Important notes:

- Take care when handling the cartridge. Lower gently onto the platter, do not drop.
- Make sure that the Anti-Skate dial is set to '0'.

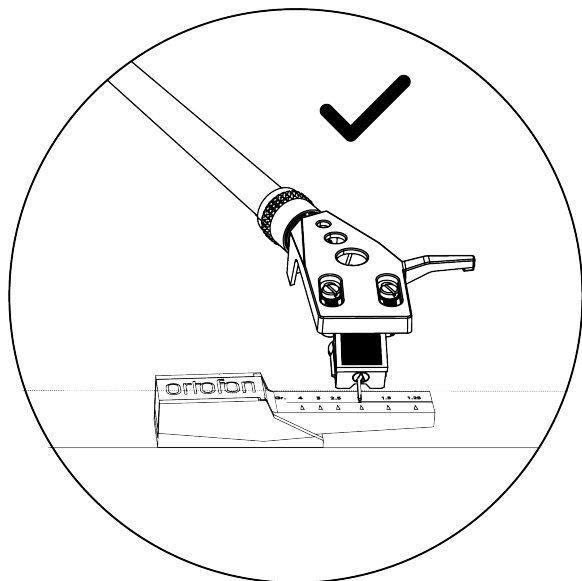


4. Place tonearm force gauge on the platter and carefully lower stylus onto "2"



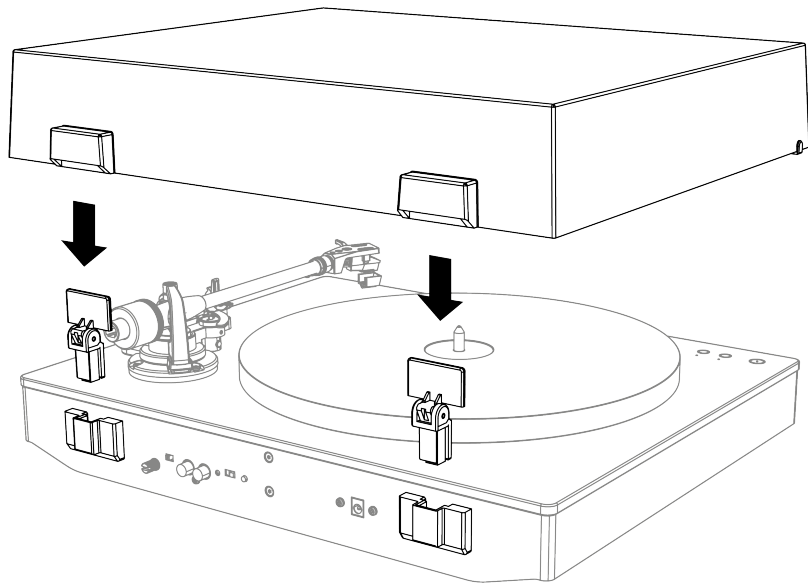
Adjusting the counterweight ensures the pressure the stylus applies to the record is correct. Too much pressure can cause distortion and lost information as well as wear to your records. Too little pressure and the stylus will jump and potentially damage your records.

Return the arm to its armrest to adjust the counterweight. This part of the process requires care and patience. Rotate anti-clockwise to increase balance weight or clockwise to decrease balance weight.



Adjust the counterweight until the stylus force gauge is in balance. Once the stylus is in balance, return the tonearm to its armrest. The anti-skate dial should be set to match the tracking force of the cartridge. Your factory-fitted cartridge has a tracking force of '2'.

5. Connect hinges to the turntable and insert lid



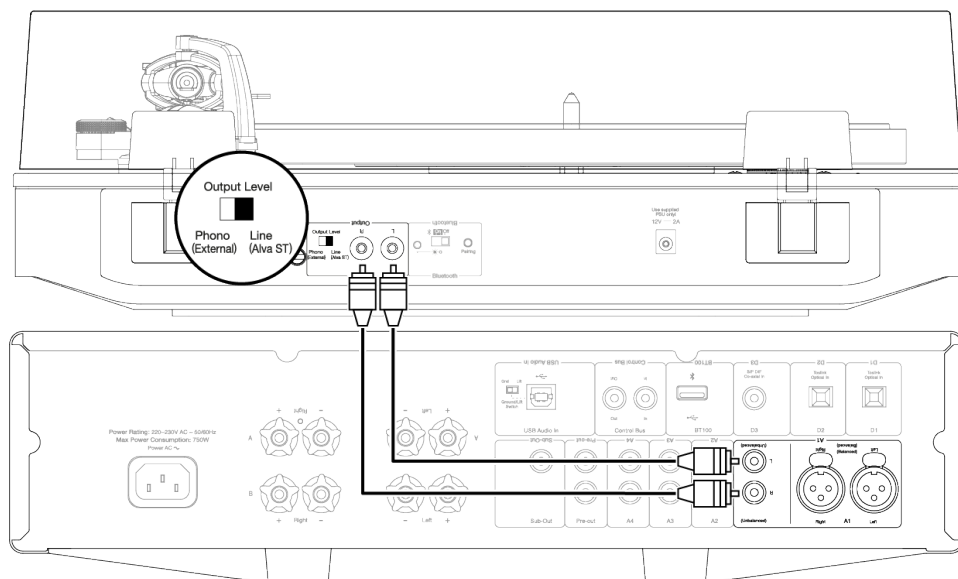
Getting connected

Last updated: April 5, 2022 03:50. Revision #3655

Analogue audio connections

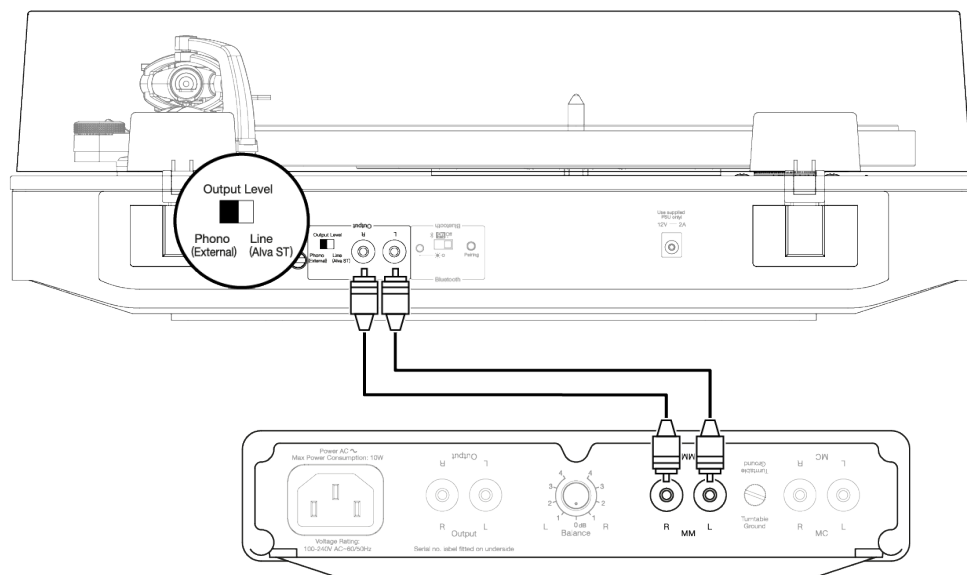
Output Level connection

Important note: Before making a connection, set the Output Level switch to 'Line (Alva TT/ST)'. Do not connect to an external phono stage.

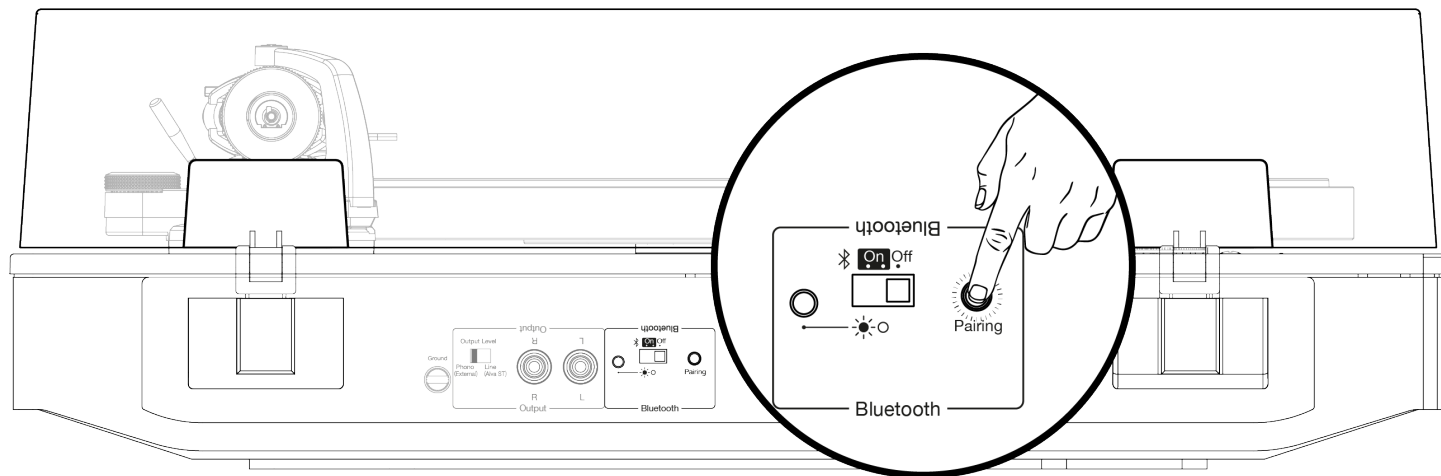


Phono connection

Important note: Before making a connection, set the Output Level switch to 'Phono (External)'. Do not connect to the Line input of an amplifier.



Bluetooth connection



Pairing

Press and hold the Pairing button for 2 seconds to enter pairing mode.

If you haven't connected your turntable to a Bluetooth device previously, do the following.

1. Make sure your Bluetooth device is set to pairing mode (see your Bluetooth device instructions for how to do this).
2. Make sure that there's no other Bluetooth device that is in pairing mode near the turntable, such as a mobile phone.
3. The turntable will automatically pair to your Bluetooth device.

Press and hold the Pairing button for 10 seconds to clear connections and turn off Bluetooth.

Note: By default, the Bluetooth will attempt to connect to the last paired device.

LED Status

Fast flashing - In pairing mode.

Slow flashing - Searching for the last paired device.

Solid - Paired to a device.

Long solid intervals - Paired to a device using aptX/aptX HD codec.

Operating instructions

Last updated: April 6, 2022 08:51. Revision #3656

Playing Records

1. Place your record over the spindle and press the power button on the top panel.
2. Press required platter rotation speed (33 or 45) button on the top panel.
3. Raise the tonearm by moving the lift lever towards the rear of the turntable.
4. Position the tonearm over the desired location (groove) on the record.
5. Lower the tonearm by moving the lift lever towards the front of the turntable.

Ending Play

1. Lift the tonearm with the lift lever.
2. Move the tonearm back to the tonearm rest.
3. Secure the tonearm with the tonearm clamp.
4. Press the platter speed button to stop the platter rotation.
5. Press the power button to enter standby.

Auto Power Down (APD)

The turntable will automatically switch to standby mode after 20 minutes of inactivity.

To disable APD press and hold the power button for 5 seconds when in standby.

To re-enable APD hold down the power button when plugging the mains power cable into the turntable.

Note: APD is automatically disabled when Phono output is selected.

Technical specifications

Last updated: April 6, 2022 09:13. Revision #3657

Alva TT v2 Turntable

TYPE

Static Balanced tonearm with Detachable Headshell

TURNTABLE SPEEDS

33 1/3, 45 rpm

MOTOR TORQUE

1.6 kg/cm

WOW & FLUTTER

<0.1%

TURNTABLE PLATTER

POM (Polyoxymethylene)

DIAMETER

305 mm

Tonearm

TYPE

One-piece aluminium casting

EFFECTIVE LENGTH

221.5 mm

OVERHANG

19 mm

EFFECTIVE MASS

19.6 g

Internal Phono Stage

GAIN @ 1kHz

42dB

NOMINAL OUTPUT (WITH CA CARTRIDGE)

250m Vrms

EQUIVALENT INPUT NOISE (A-WEIGHTED)

0.1u Vrms

RIAA CURVE ACCURACY

+/-0.3dB 30Hz-20kHz

SIGNAL/NOISE RATIO (REF 1V OUT, 20-20K BW)

>90dB

THD+N 1KHZ

0.0025%

INPUT IMPEDANCE47k Ω **INPUT CAPACITANCE**

100pF

Outputs**AUDIO OUTPUT**

RCA phono/line level (switchable)

BLUETOOTH

SBC/aptX/aptX HD

General**POWER SUPPLY**

AC 100-240V, 60/50Hz

POWER CONSUMPTION

5.5W Approx., 20W max, <0.25W (Standby)

DIMENSIONS (W X H X D)

435 x 139 x 368 mm

WEIGHT

10.9 kg

Cartridge**TYPE**

High Output Moving Coil

FREQUENCY RESPONSE

+/- 1dB 30Hz-20kHz

STYLUS

Elliptical

CANTILEVER

Aluminium

OUTPUT LEVEL

2mV @ 1kHz

TRACKING FORCE

2 g

RECOMMENDED LOAD47k Ω

Alva ST Turntable

TYPE

Belt Drive

TURNTABLE SPEEDS

33 1/3, 45 rpm

MOTOR TORQUE

Belt Drive without Motor torque

WOW & FLUTTER

<0.12%

TURNTABLE PLATTER

Aluminium Die-casting

DIAMETER

305 mm

Tonearm

TYPE

Static Balanced tonearm with Detachable Headshell

EFFECTIVE LENGTH

221.5 mm

OVERHANG

19 mm

EFFECTIVE MASS

19.8 g

Internal Phono Stage

GAIN @ 1kHz

42dB

NOMINAL OUTPUT (WITH CA CARTRIDGE)

250m Vrms

EQUIVALENT INPUT NOISE (A-WEIGHTED)

0.1u Vrms

RIAA CURVE ACCURACY

+/-0.3dB 30Hz-20kHz

SIGNAL/NOISE RATIO (REF 1V OUT, 20-20K BW)

>90dB

THD+N 1KHZ

0.0025%

INPUT IMPEDANCE

47kΩ

INPUT CAPACITANCE

100pF

Outputs

AUDIO OUTPUT

RCA phono/line level (switchable)

BLUETOOTH

SBC/aptX/aptX HD

General

POWER SUPPLY

AC 100-240V, 60/50Hz

POWER CONSUMPTION

6W Approx., 20W max, <0.3W (Standby)

DIMENSIONS (W X H X D)

435 x 139 x 366.7 mm

WEIGHT

9 kg

Cartridge

TYPE

Moving Magnetic Cartridge

FREQUENCY RESPONSE

+/- 0.5dB 30Hz-20kHz

STYLUS

Elliptical

CANTILEVER

Alloy Tube

OUTPUT LEVEL

1.8~3.6mV @ 1kHz

TRACKING FORCE

2 g

RECOMMENDED LOAD

47k Ω

Troubleshooting

Last updated: April 6, 2022 08:54. Revision #3658

No sound through one or both channels

- Amplifier not switched on.
- Amplifier is muted.
- Incorrect input is selected.
- Bad connection with amplifier, connector plugs not fully pushed home.
- Stylus is not making a connection to the record.
- No connection to the loudspeakers.

Distorted or inconsistent sound

- Turntable is connected to the incorrect amplifier input.
- Please note: Do not connect the turntable to an external phono stage or phono input.
- Wrong RPM used for the record.
- Tracking force and/or anti-skate incorrectly adjusted.
- Condition of the record is poor.
- Stylus is not making a connection to the record.
- Stylus is damaged.
- Turntable is picking up excessive vibrations or is not level.

Stylus skips across the record

- Stylus guard has not been removed.
- Tracking force is too light - Confirm that the tracking force is correct with the tonearm force gauge.
- Confirm that the Anti-Skating BIAS is set to "2".
- Turntable is picking up excessive vibrations or is not level.
- Condition of the record is poor.

Turntable will not connect to a Bluetooth playback device

- Turntable and device are too far apart.
- Bluetooth device is not in pairing mode.
- Turntable is not in pairing mode.

Turntable is connecting to an incorrect Bluetooth playback device

- Disable/switch off all other Bluetooth devices.
- Clear all paired devices on the turntable.

Inconsistent sound through Bluetooth playback device

- Bluetooth signal is being blocked/interrupted.
- Turntable and device are too far apart.