

SONOS

Sonos

User Guide

THIS DOCUMENT CONTAINS INFORMATION THAT IS SUBJECT TO CHANGE WITHOUT NOTICE.

No part of this publication may be reproduced or transmitted in any form or by any means, electronic or mechanical, including but not limited to photocopying, recording, information retrieval systems, or computer network without the written permission of Sonos, Inc. Sonos and all other Sonos product names and slogans are trademarks or registered trademarks of Sonos, Inc. Sonos Reg. U.S. Pat. & Tm. Off.

Sonos products may be protected by one or more patents. Our patent-to-product information can be found here:
sonos.com/legal/patents

AirPlay®, Apple Music™, FairPlay®, iPad®, iPhone®, iPod®, iTunes®, and OS X®, are trademarks of Apple Inc., registered in the U.S. and other countries.

Works with Apple Airplay.

"Made for iPod", "Made for iPhone", and "Made for iPad" mean that an electronic accessory has been designed to connect specifically to iPod, iPhone, or iPad, respectively, and has been certified by the developer to meet Apple performance standards. Apple is not responsible for the operation of this device or its compliance with safety and regulatory standards. Please note that the use of this accessory with iPod, iPhone, or iPad may affect wireless performance.

Windows® is a registered trademark of Microsoft Corporation in the United States and other countries.

Android™ is a trademark of Google, Inc.

Manufactured under license from Dolby Laboratories. Dolby, Dolby Audio, Pro Logic, and the double-D symbol are trademarks of Dolby Laboratories.

Amazon, Kindle, Kindle Fire, Echo, Alexa, and all related logos are trademarks of Amazon.com, Inc. or its affiliates.

Google and Google Home Mini are trademarks of Google LLC.

Bluetooth® is a registered trademark of Bluetooth SIG, Inc.

The terms HDMI and HDMI High-Definition Multimedia Interface, and the HDMI logos are trademarks or registered trademarks of HDMI Licensing LLC in the United States and other countries.

Sonos uses MSNTP software, which was developed by N.M. Maclaren at the University of Cambridge.

© Copyright, N.M. Maclaren, 1996, 1997, 2000; © Copyright, University of Cambridge, 1996, 1997, 2000.

All other products and services mentioned may be trademarks or service marks of their respective owners.

May 2019

©2004-2019 by Sonos, Inc. All rights reserved.

The Sonos Home Sound System

Sonos is the wireless home sound system that fills as many rooms as you want (up to 32) with music, movies and TV. Listen in any room or every room—play a movie in the living room, a podcast in the kitchen, or the same song everywhere. [Explore our products](#) to find out more.

- Free Sonos app guides you through setup and provides music control for everyone in the house on all their devices—phones, tablets, and computers.
- Easy access to all the music you love—streaming services, podcasts and internet radio.
- Mix and match products to build a home sound system that fits your lifestyle.



Getting started

Here's what you'll need:

- **Wi-Fi**—have your network name and password ready. See [Sonos requirements](#).
- **Mobile device**—connected to the same Wi-Fi. You'll use this for setup.
- **The Sonos app**—you'll use it to set up and control your Sonos system (install it on the mobile device you're using for setup).
- **A Sonos account**—If you don't have an account, you'll create one during setup. See [Sonos accounts](#) for more information.

New to Sonos?

Download the app from the app store on your mobile device. Open the app and we'll guide you through setup.

Once your Sonos system is set up, you can use your computer to control the music too. Get the app at www.sonos.com/support/downloads.

For the latest system requirements and compatible audio formats, go to <https://faq.sonos.com/specs>.

Already have Sonos?

You can easily add new speakers anytime (up to 32). Just plug in the speaker and tap **...** > **Add Speakers**.

If you're adding a Boost, plug it in and tap **...** > **Settings** > **Add Boost or Bridge**.

Sonos requirements

Your Sonos speakers and the mobile device with the Sonos app need to be on the same Wi-Fi network.

Wireless setup

Setting up Sonos on your home Wi-Fi is the answer for most homes. You just need:

- High-speed DSL/cable modem (or fiber-to-the-home broadband connection).
- 2.4 GHz 802.11b/g/n wireless home network.

Note: Satellite internet access may cause playback issues.

If you ever start to experience temperamental Wi-Fi, you can easily switch to wired setup.

Wired setup

Connect a Sonos Boost or speaker to your router with an Ethernet cable if:

- Your Wi-Fi is slow, temperamental, or doesn't reach all the rooms where you want to use Sonos.
- Your network is already in high demand with streaming video and internet usage and you want a separate wireless network just for your Sonos system.
- Your network is 5 GHz only (not switchable to 2.4 GHz).

SONOS USER GUIDE

- Your router supports only 802.11n (you can't change the settings to support 802.11b/g/n).

Note: For uninterrupted playback, use an Ethernet cable to connect the computer or NAS drive that has your music library files to your router.

If you want to change to wireless setup later, see [Switch to wireless setup](#) for more information.

Sonos app

The Sonos app is available for the following devices:

- iOS devices running iOS 10 and later
- Android 5 and higher
- macOS 10.11 and later
- Windows 7 and higher

Note: You'll set up Sonos using a mobile device, but then you can use any device to control the music.

AirPlay 2

To use AirPlay with Sonos, you need a device running iOS 11.4 or later and a Sonos speaker that supports AirPlay 2 (Sonos One, Play:5, Playbase, Amp, and Beam). Once you're streaming AirPlay, you can add non-compatible Sonos speakers to the group.

Supported formats

Audio formats

Support for compressed MP3, AAC (without DRM), WMA without DRM (including purchased Windows Media downloads), AAC (MPEG4), AAC+, Ogg Vorbis, Apple Lossless, Flac (lossless) music files, fragmented MP4 (fMP4), as well as uncompressed WAV and AIFF files.

Native support for 44.1 kHz sample rates. Additional support for 48 kHz, 32 kHz, 24 kHz, 22 kHz, 16 kHz, 11 kHz, and 8 kHz sample rates. MP3 supports all rates except 11 kHz and 8 kHz.

Note: Apple "FairPlay," WMA DRM and WMA Lossless formats not currently supported. Previously purchased Apple "FairPlay" DRM-protected songs may be upgraded.

Streaming services

Sonos works seamlessly with most music and content services, as well as downloads from any service offering DRM-free tracks. Service availability varies by region. For a complete list, see <https://www.sonos.com/music>.

Internet radio

- Streaming MP3
- HLS/AAC
- WMA

SONOS USER GUIDE

Album art

- JPEG
- PNG
- BMP
- GIF

Playlists

- Rhapsody
- iTunes
- WinAmp
- Windows Media Player (.m3u, .pls, .wpl)

Explore our products

Sonos products work together seamlessly. It's easy to add speakers and expand your system as your home changes.

Speakers for your music

The perfect wireless speaker for any room in your home. You can even stereo pair two speakers (same model) in a room—turn each one into separate left and right channels for wider, bigger, and deeper sound.

- [Play:1](#): mini home speaker with mighty sound.
- [Sonos One](#): smart speaker with built-in voice control.
- [Play:3](#): mid-size speaker with stereo sound.
- [Play:5](#): biggest home speaker with boldest sound.

Speakers for your TV

Sonos products for your TV provide full-theater sound and play music too. Enhance your home theater experience by adding a Sub, a pair of surrounds, or both.

- [Beam](#): compact soundbar with Amazon Alexa voice control, perfect for small to medium-sized rooms. Place on furniture or wall mount.
- [Playbase](#): widescreen sound and music streaming, created especially for TVs on stands or furniture. Low profile design practically disappears under your TV.
- [Playbar](#): powerful soundbar, perfect for use above or below wall-mounted TVs, or lay it flat on a table or console.
- [Sub](#): add dramatically deeper bass to any Sonos speaker, for home theater and music.

Stereo upgrades

Convert existing speakers, stereos, and home theater into music streaming systems with an amplifier.

- [Amp](#): versatile amplifier for powering all your entertainment.
- [Connect](#): external amplifier provides instant music streaming for existing stereo or receiver.
- [Connect:Amp](#): digital amplifier is a music streaming upgrade for your favorite speakers.

Sonos app

Control your Sonos system using [The Sonos app](#). Choose what to play, where to play it, and how loud. In one room or all over your home. Search across all of your music services and files simultaneously to find what you love. Create playlists in an instant. The Sonos app does it all.

Accessories

Find the perfect [accessory](#) for your Sonos system on our website.

SONOS USER GUIDE

- If your existing Wi-Fi isn't reliable enough for streaming music, you can purchase a Sonos [Boost](#).
- Wall mount kits or stands tailored to perfectly fit your Sonos products.
- Turntables to bring vinyl to your Sonos system.
- Cables and more.

The Sonos app

Download the app on your mobile device. You'll use it to set up and control your Sonos system.

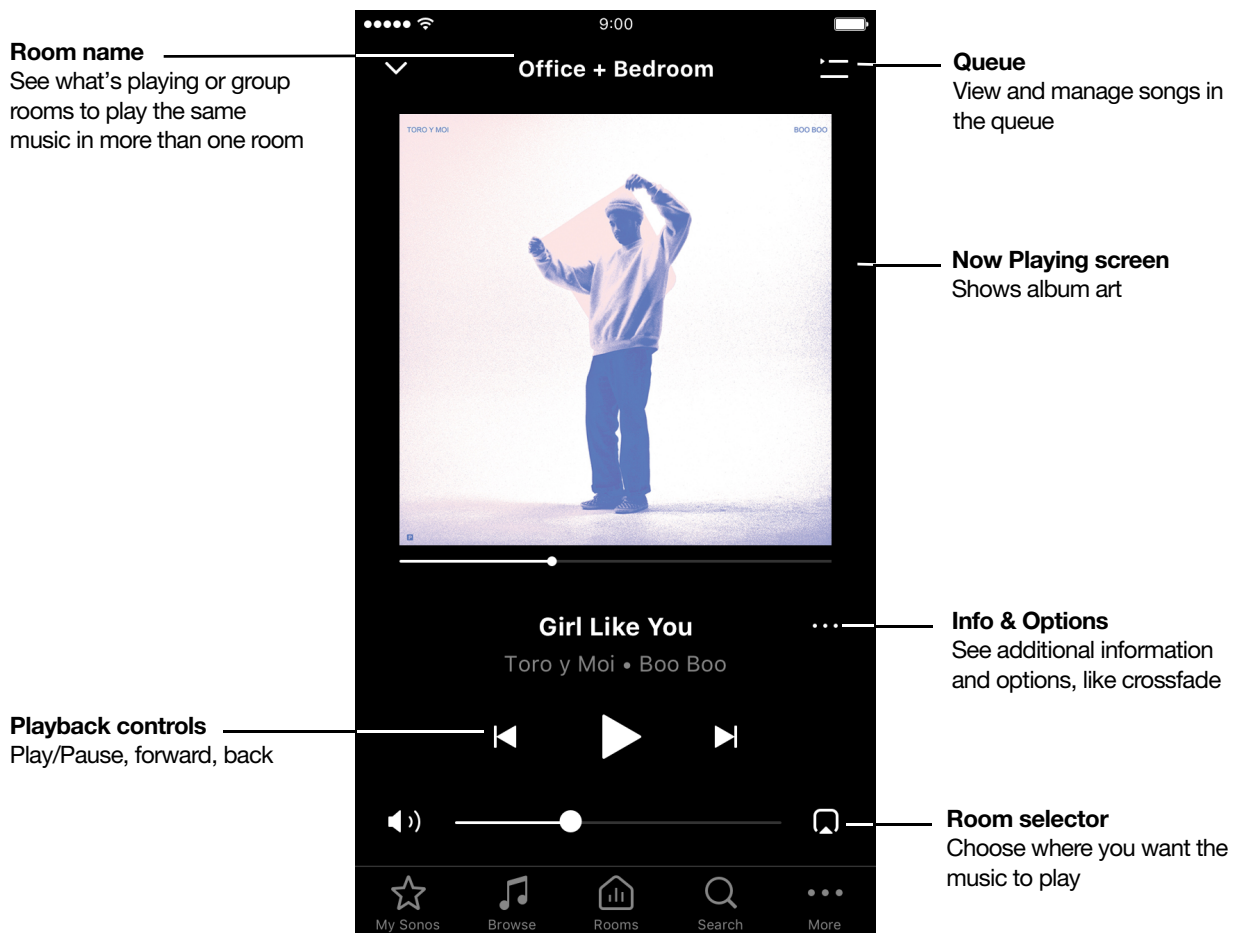
Once your system is set up, you can also use your computer to control the music. Get the app at www.sonos.com/support/downloads.


For the latest system requirements and compatible audio formats, go to <https://faq.sonos.com/specs>.

Things you can do:

- Discover and **Play music**—explore internet radio, browse and search for music.
- Add **music** and **voice** services—keep your music together and add voice for touch-free play.
- Save your favorite music to **My Sonos**—easily find the music that you love.
- **Sonos playlists**—save songs to a playlist so you can listen to them anytime.
- Play music anywhere—group **rooms** to send the same music everywhere, or listen to different music in each room.

Controls








Note: You can skip through content by tapping  or  (available only with certain services).

SONOS USER GUIDE

Tap an icon to find and play music.



-  **My Sonos** A space to save and play your favorite music and collections so you always know where to find the music you love.
-  **Browse** Browse through music services, your music library, and music on your mobile device. When you find music you like, start playing it in any room.
-  **Rooms** See what's playing in your rooms. Group rooms to play the same music in different rooms or everywhere.
-  **Search** Search your music sources.
-  **More** Add music and voice services, set alarms, go to Help & Tips, and Settings.

Info & Options

Shows more information and options for the music. Appears on Now Playing and also as an option throughout the app when searching for music.

Tap  (iOS) or  (Android) for options, including:

- **Add to Sonos Playlist** or **Add to My Sonos**—personalize your music.
- **Share this Song (or station)**—send this song or station to friends through social media.
- **Crossfade**—create a smooth transition between songs.

Queue

Tap  or **Show Queue** (tablets) for options, including:

- **Shuffle**—change the song order.
- **Repeat**—repeat all songs, or tap again to repeat the song that's playing.
- **Save**—save the queue to a playlist in My Sonos.

Customize the queue

When you play a song, it's automatically added to your music queue. You can also add songs to the queue while browsing. Change, delete, or save the queue as a Sonos Playlist so you can easily listen to it again later.




Add a song to the queue

Find a song and tap  (iOS) or  (Android).

Edit the queue

SONOS USER GUIDE

From Now Playing, open the queue and tap **Edit**.

- Delete a song—tap  (iOS) or  (Android).
- Move a song—touch and hold  and drag the song to a new location.

Save a queue as a Sonos playlist

From Now Playing, open the queue and tap **Save** (doesn't include songs on your mobile device).

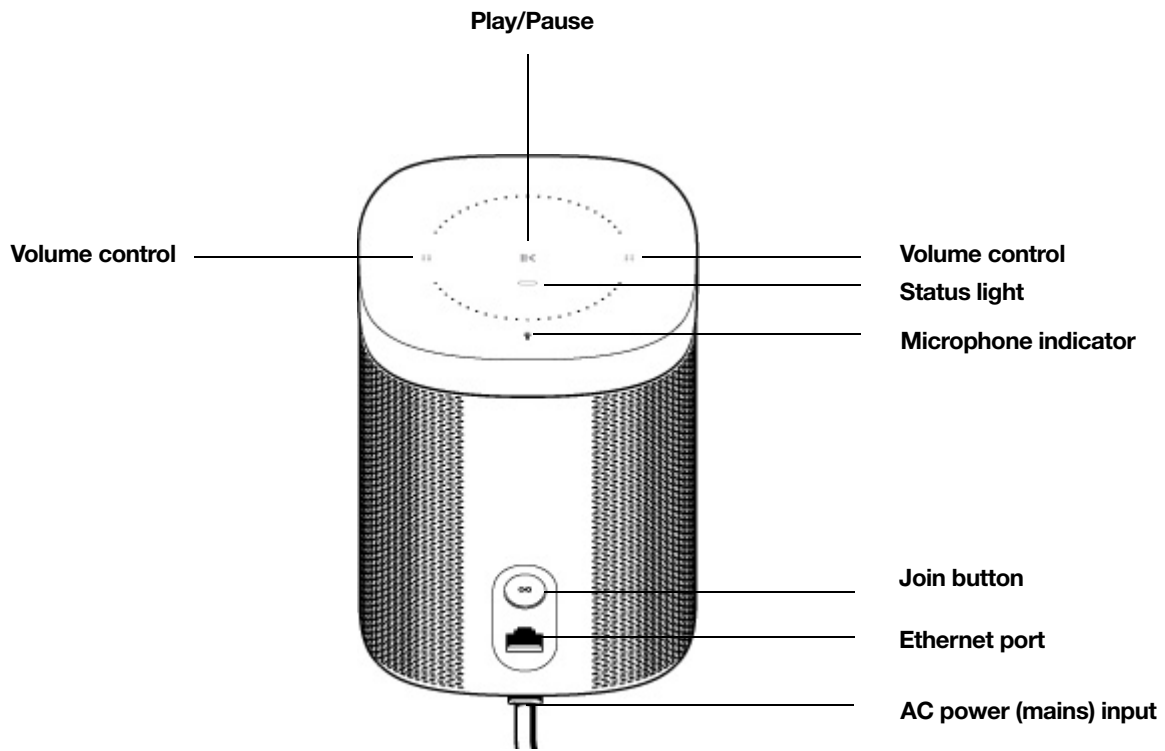
See [Sonos playlists](#) to learn how to save your queue.

Sonos One





Sonos One has Amazon Alexa built right in so you can use your voice to start and control the music on Sonos—

- Perfect fit for shelves, counters, and snug spaces or mounted to a wall, ceiling or speaker stand.
- Touch controls let you adjust volume, play and pause, or skip through songs.
- Pair two Sonos Ones for left-right stereo sound, or use two Sonos Ones as rear surrounds for your home theater.
- See [Getting started](#) when you're ready to add a Sonos One to your system.

Note: Over time we'll add more voice services and skills. Voice control is not supported in every country yet—this feature will be available as soon as Sonos and a voice service launch together in your region.



Controls and lights

	Volume control	<ul style="list-style-type: none"> • Touch and hold to quickly change the volume: • Volume up (right); Volume down (left).
	Play/Pause	<ul style="list-style-type: none"> • Press <i>once</i> to play or pause music. • Press and hold to add the music that's playing in another room.
	Next/Previous	<ul style="list-style-type: none"> • Swipe right across the touch controls to skip to the next song. • Swipe left to go to the previous song. <p>Note: You can't skip forward or go back when listening to a radio station.</p>
	Microphone indicator	<ul style="list-style-type: none"> • Tap the microphone light to turn the microphone on or off. • When the light is on, voice control is on and you can use voice commands. • When the light is off, voice control is off. <p>Note: If the light is off, press and hold the Microphone indicator to talk to Alexa. Release the button to turn voice control off again.</p>
Status light		Indicates the status. For more information, see https://faq.sonos.com/led .

Connector panel

Join button	Press to connect during setup.
Ethernet port	Use the supplied Ethernet cable if you want to connect to a router, computer, or network-attached storage (NAS) device (optional).
AC power (mains) input	Use only the supplied power cord (using a third-party power cord will void your warranty). Note: Insert the power cord firmly until it is flush with the bottom of the speaker.

Select a location


You can put your speaker just about anywhere. Here's a few guidelines:

- Sonos One sounds great even when placed next to a wall or on a shelf. For best performance, leave at least 1" (2.5 cm) space around the back of the speaker.
- It's *humidity*-resistant so you can use it in the bathroom.
- It's *not water*-resistant so don't put it near water or leave it in the rain.


Speaker mounts and stands

For wall mount kits or stands, tailored to perfectly fit your Sonos products, see [Accessories](#) on our website.

Microphone on/off

Touch  to turn the microphone on and off. (If you don't have a voice service installed, the microphone is inactive.)

When the microphone light is on, voice control is on and Alexa is ready to respond. When the microphone light is off, voice control is off.

If you've installed a voice service and the microphone is off, you can still use voice commands. Just press and hold  while talking to Alexa—no need to start with a wake word. When you release the mic button, voice control turns off again.

Specifications

Feature	Description
Audio	
Amplifier	Two Class-D digital amplifiers.
Tweeter	One tweeter creates a crisp and accurate high frequency response.
Mid-Woofer	One mid-woofer ensures the faithful playback of mid-range vocal frequencies plus deep, rich bass.
Stereo Pair	Turn two speakers into separate left and right channel speakers to create wider, deeper sound.
Home Theater	Add two speakers as surrounds for a true surround sound experience.
Microphones	<ul style="list-style-type: none"> • Far-field microphone array. • Microphone LED, hard-wired to the voice microphones for extra privacy control so you're always aware when the microphone is active.
Voice Control	Integrated voice control.
Networking*	
Wireless Connectivity	Connects to your home Wi-Fi network with any 802.11b/g/n router. 802.11n only network configurations are not supported—you can either change the router settings to 802.11b/g/n or connect a Sonos product to your router.
Ethernet Port	One 10/100Mbps Ethernet port. You can plug a Sonos product directly into your router if your Wi-Fi is unstable.

SONOS USER GUIDE

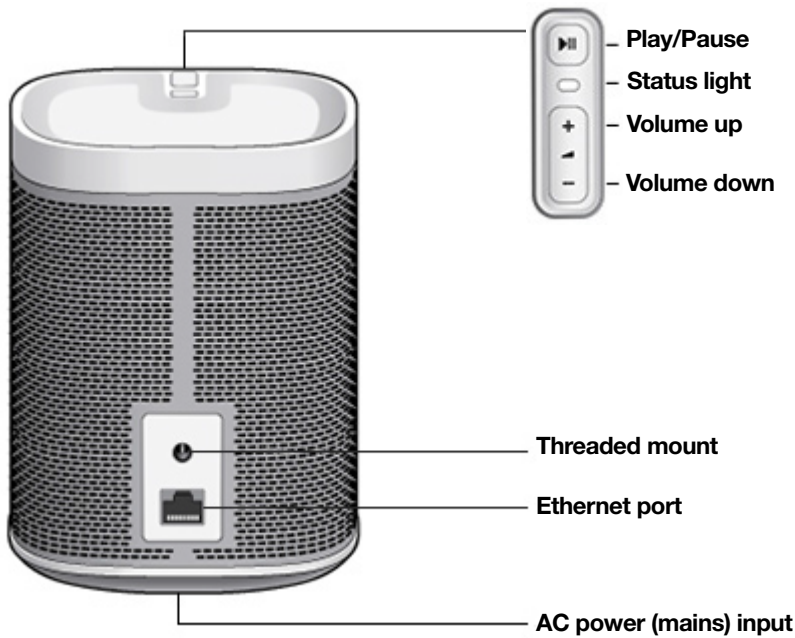
Feature	Description
General	
Power Supply	Auto-switching 100 - 240V ~ 50-60 Hz 1A AC universal input
Dimensions (H x W x D)	6.36 x 4.69 x 4.69 in. (161.45 x 119.7 X 119.7 mm)
Weight	4.08 lb (1.85 kg)
Operating Temperature	32° to 104° F (0° to 40° C)
Storage Temperature	-4° to 158° F (-20° to 70° C)
Humidity Resistant	Designed to withstand high-humidity, like in a bathroom with a running shower. (It is not waterproof or water-resistant.)
Product Finish	White with white grille; black with black grille
Package Contents	Sonos One, power cord, Ethernet cable, and Quickstart Guide.

* Specifications subject to change without notice.

Play:1

The mini home speaker with mighty sound—

- Fits in any space, fills any room. Wall or stand mountable.
- Two custom-designed drivers, 3.5 in / 9 cm mid-woofer and tweeter, each with a dedicated amplifier.
- Humidity resistant. Perfect for the bathroom (or backyard).
- Pair two Play:1s for left-right stereo sound, or use two Play:1s as rear surrounds for your home theater.
- To set it up, see [Getting started](#).



Controls and lights

<p>+ -</p>	<p>Volume up (+) Volume down (-)</p>	<p>Press to adjust the volume. Note: You can also use the app.</p>
<p>> </p>	<p>Play/Pause</p>	<ul style="list-style-type: none"> • Press <i>once</i> to play or pause music. • Press <i>twice</i> to skip to the next song (if applicable to the selected music source). • Press <i>three times</i> to skip to the previous song. • Press and hold to add the music playing in another room. <p>Note: You can't skip forward or go back when listening to a radio station.</p>
	<p>Status light</p>	<p>Indicates the status. For more information, see https://faq.sonos.com/led.</p>

Connector panel

Threaded mount 1/4" / 20-thread	Integrated mounting socket so it can be wall-mounted (bracket not included). See Speaker mounts and stands for more information.
Ethernet port	Use the supplied Ethernet cable if you want to connect to a router, computer, or network-attached storage (NAS) device (optional).
AC power (mains) input	Use only the supplied power cord (using a third-party power cord will void your warranty). Insert the power cord firmly until it is flush with the speaker.

Select a location

You can put your speaker just about anywhere. For maximum enjoyment, we have a few guidelines:

- The Play:1 is designed to work well even when placed next to a wall or other surface. For optimum performance, maintaining more than 1" (2.5 cm) clearance around the back of the unit is recommended.
- The Play:1 is *humidity*-resistant so you can use it in the bathroom; however it is not *water*-resistant so don't position it near water or leave it outside during a rain storm.

Set it up

See [Getting started](#) when you're ready to set up your speaker.

Speaker mounts and stands

The Play:1 has a standard 1/4"-20 threaded mounting socket. If desired, you can easily wall mount it using a suitable bracket (not included). Simply choose a location that's close to an electrical outlet (power cord length is 2m), taking care to avoid heat, steam, dripping water or hidden wiring, and follow the instructions included with the wall mount kit. You can hang it right side up (control buttons on top) or upside down (control buttons on the bottom).

Note: Be sure the wall mount bracket you purchase will support at least 8 lb (3.6 kg) and has a 1/4"-20 threaded post.

For wall mount kits or stands, tailored to perfectly fit your Sonos products, see [Accessories](#) on our website. Follow the instructions in the kit.

Specifications

Feature	Description
Audio	
Amplifier	Two Class-D digital amplifiers.

SONOS USER GUIDE

Feature	Description
Tweeter	One tweeter creates a crisp and accurate high frequency response.
Mid-Woofer	One mid-woofer ensures the faithful playback of mid-range vocal frequencies plus deep, rich bass.
Stereo Pair	Turn two speakers into separate left and right channel speakers to create wider, deeper sound.
Home Theater	Add two speakers as surrounds for a true surround sound experience.
Networking*	
Wireless Connectivity	Connects to your home Wi-Fi network with any 802.11b/g/n router. 802.11n only network configurations are not supported—you can either change the router settings to 802.11b/g/n or connect a Sonos product to your router.
Ethernet Port	One 10/100Mbps Ethernet port. You can plug a Sonos product directly into your router if your Wi-Fi is unstable.
General	
Power Supply	Auto-switching 100-240 V, 50-60 Hz 1A AC universal input.
Dimensions (H x W x D)	6.36 x 4.69 x 4.69 in. (161.45 x 119.7 X 119.7 mm)
Weight	4.08 lb (1.85 kg)
Threaded mount	Standard 1/4"-20 threaded mounting socket
Operating Temperature	32° to 104° F (0° to 40° C)
Storage Temperature	-4° to 158° F (-20° to 70° C)
Humidity Resistant	Designed to withstand high-humidity, like in a bathroom with a running shower. (It is not waterproof or water-resistant.)
Product Finish	White with light metallic grille; black with graphite grille
Package Contents	Play:1, power cord, Ethernet cable, and Quickstart Guide.

* Specifications subject to change without notice.

Play:3

The mid-size home speaker with stereo sound—

- Three custom-designed drivers (two mid-range and one tweeter), each with a dedicated amplifier.
- Position vertically or horizontally—software automatically adjusts the sound to ensure best performance.
- Pair two Play:3s for left-right stereo sound, or use two Play:3s as rear surrounds for your home theater.
- See [Getting started](#) when you're ready to add a Play:3 to your Sonos system.

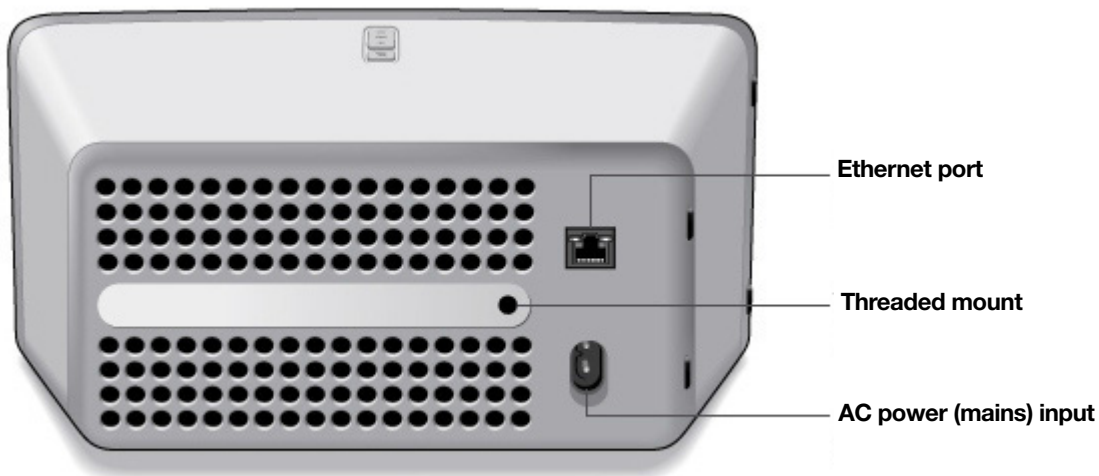


Note: The front grille is not removable. Tampering with the grille may result in damage to your Play:3.

Controls and lights

<p>+ -</p>	<p>Volume up (+) Volume down (-)</p>	<p>Press to adjust the volume. Note: You can also use the app.</p>
<p>> </p>	<p>Play/Pause</p>	<ul style="list-style-type: none"> • Press <i>once</i> to play or pause music. • Press <i>twice</i> to skip to the next song (if applicable to the selected music source). • Press <i>three times</i> to go back to the previous song. • Press and hold to add the music playing in another room. <p>Note: You can't skip forward or go back when listening to a radio station.</p>
	<p>Status light</p>	<p>Indicates the status. For more information, see https://faq.sonos.com/led.</p>

Connector panel



<p>Threaded mount 1/4" / 20-thread</p>	<p>Integrated mounting socket so it can be wall-mounted (bracket not included). See Speaker mounts and stands for more information.</p>
<p>Ethernet port</p>	<p>Use the supplied Ethernet cable if you want to connect to a router, computer, or network-attached storage (NAS) device (optional).</p>
<p>AC power (mains) input</p>	<p>Use only the supplied power cord (using a third-party power cord will void your warranty). Insert the power cord firmly until it is flush with the speaker.</p>

Select a location

You can put your speaker just about anywhere. For maximum enjoyment, we have a few guidelines:

- Position either horizontally or vertically to accommodate the desired space—the EQ (audio equalization) will automatically adjust to create the best possible sound when the orientation is changed.
- Designed to work well even when placed next to a wall or other surface. For optimum performance, maintaining more than 1" (2.5 cm) clearance around the back of the unit is recommended.
- Not water-resistant so don't position it near water or leave it outside during a rain storm.
- Care should be taken if placing the Play:3 close to an older CRT (cathode ray tube) television. If you notice any discoloration or distortion of your picture quality, simply move the Play:3 further from the television.

Speaker mounts and stands

The Play:3 has a standard 1/4"-20 threaded mounting socket. If desired, you can easily wall mount it using a suitable bracket (not included). Simply choose a location that's close to an electrical outlet (power cord length is 2m), taking care to avoid heat, steam, dripping water, or hidden wiring, and follow the instructions included with the mounting bracket.

Note: Be sure the wall mount bracket you purchase will support at least 10lb (4.5 kg) and has a 1/4"-20 threaded post.

For wall mount kits or stands, tailored to perfectly fit your Sonos products, see [Accessories](#) on our website. Follow the instructions in the kit.

Specifications

Feature	Description
Audio	
Amplifier	Three Class-D digital amplifiers.
Speakers	Three driver speaker system - two 3" mid-range drivers, and one tweeter. Each driver of the product is individually powered by a dedicated amplifier.
Bass Radiator	One rear firing bass radiator with a 60 sq. cm surface area.
Stereo Pair	Turn two speakers into separate left and right channel speakers to create wider, deeper sound.
Home Theater	Add two speakers as surrounds for a true surround sound experience.
Networking*	
Wireless Connectivity	Connects to your home Wi-Fi network with any 802.11b/g/n router. 802.11n only network configurations are not supported—you can either change the router settings to 802.11b/g/n or connect a Sonos product to your router.

SONOS USER GUIDE

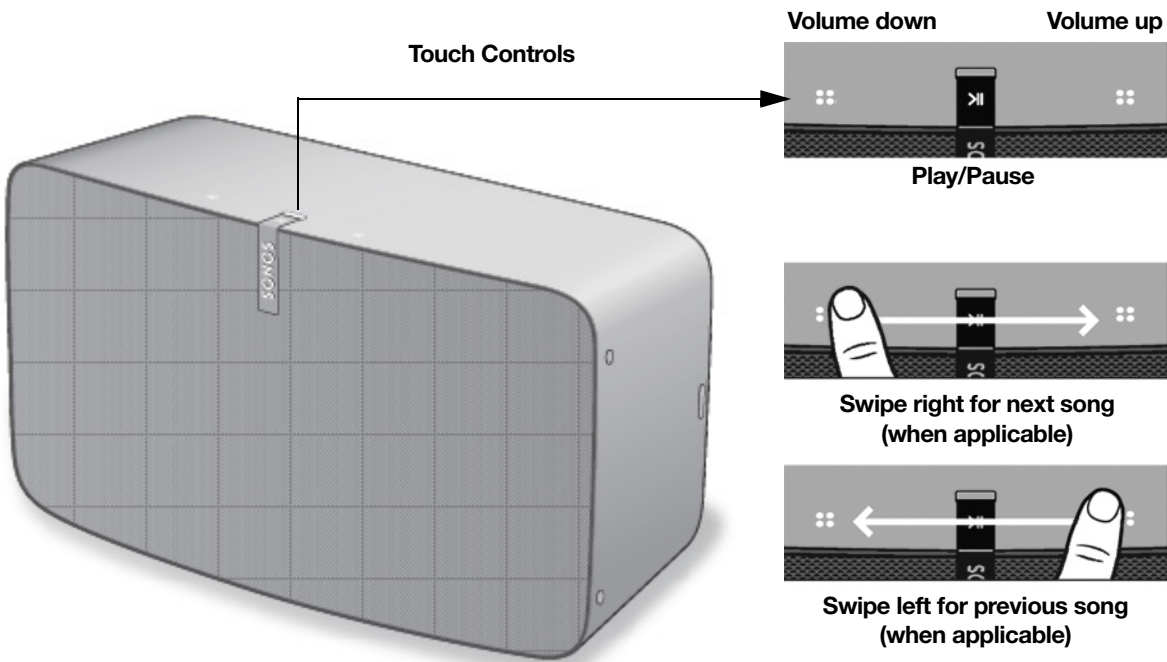
Feature	Description
Ethernet Port	One 10/100Mbps Ethernet port. You can plug a Sonos product directly into your router if your Wi-Fi is unstable.
General	
Power Supply	Auto-switching 100-240 V, 50-60 Hz 2A AC universal input.
Dimensions (H x W x D)	5.2 x 10.5 x 6.3 in. (132 x 268 x 160 mm)
Weight	5.7 lb (2.6 kg)
Threaded mount	Standard 1/4"-20 threaded mounting socket.
Operating Temperature	32° to 104° F (0° to 40° C)
Storage Temperature	-4° to 158° F (-20° to 70° C)
Product Finish	White with light metallic grille; black with graphite grille
Package Contents	Play:3, power cord, Ethernet cable, and Quickstart Guide.

* Specifications subject to change without notice.

Play:5

Our biggest home speaker with the boldest sound—

- Hardware and software custom-designed by Sonos to produce pure, immersive sound that’s crystal clear at any volume.
- Powered by three tweeters and three mid-woofers, each with a dedicated amplifier, perfectly tuned to match the speakers and acoustic architecture.
- Pair two Play:5s for left-right stereo sound, or use two Play:5s as rear surrounds for your home theater.
- See [Getting started](#) when you’re ready to add a Play:5 to your Sonos system.

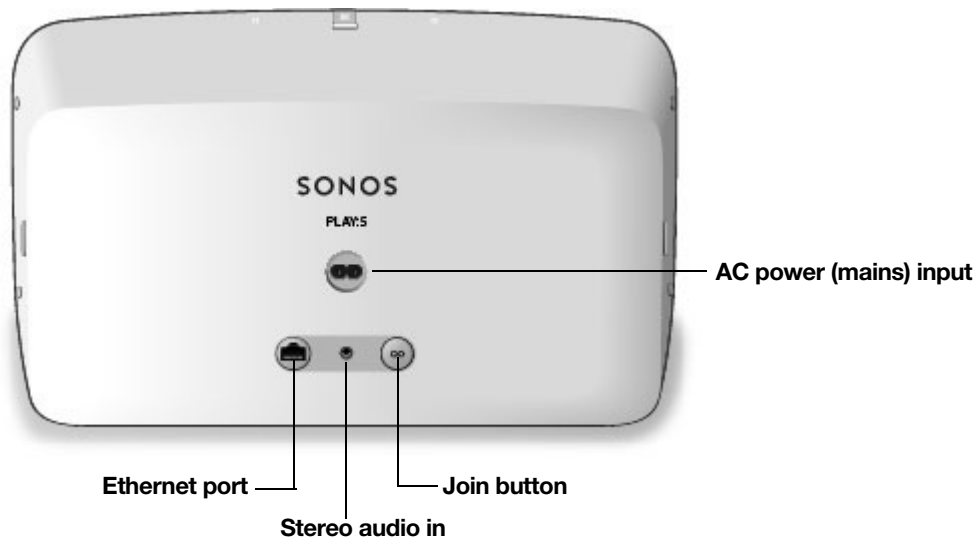


Note: The front grille is not removable. Tampering with the grille may result in damage to your Play:5.

Controls and lights

::	Volume control	Touch and hold to quickly change the volume: <ul style="list-style-type: none"> • Volume up (right) • Volume down (left)
>	Play/Pause	<ul style="list-style-type: none"> • Press <i>once</i> to play or pause music. • Press and hold to add the music that's playing in another room.
:: > ::	Next/Previous song	<ul style="list-style-type: none"> • Swipe right across the touch controls to skip to the next song. • Swipe left to go to the previous song. <p>Note: You can't skip forward or go back when listening to a radio station.</p>
Status light		Indicates the status. For more information, see https://faq.sonos.com/led .

Connector panel



Join button	Press to connect during setup.
Ethernet port	Use the supplied Ethernet cable if you want to connect to a router, computer, or network-attached storage (NAS) device (optional).
AC power (mains) input	Use only the supplied power cord (using a third-party power cord will void your warranty). Note: Insert the power cord firmly until it is flush with the bottom of the speaker.
Stereo audio in (3.5mm / 1/8")	Use to connect external music players.

Select a location

You can put your speaker just about anywhere. For maximum performance, we have a few guidelines:

- The Play:5 is a substantial and powerful speaker and should be placed on a flat surface that is robust and durable enough to properly support it. Make sure the Play:5's rubber feet sit completely on the flat surface.
- Allow at least 2" perimeter all around the Play:5 including its power cord.
- For a single Play:5 speaker we recommend positioning the speaker horizontally, enabling stereo sound over a wide sound stage. (A single Play:5 speaker positioned in vertical mode is a mono speaker—there is no stereo separation.)
- Place the Play:5 across the room from where you'll be listening (at or close to your ear height for best results).
- For stereo pair placement information, see [Stereo pairs](#).
- The Play:5 is humidity resistant so you can use it in the bathroom; however it is not water resistant so don't position it near water or leave it outside during a rain storm.

Speaker mounts and stands

For wall mount kits or stands, tailored to perfectly fit your Sonos products, see [Accessories](#) on our website. Follow the instructions in the kit.

Line-in

See [From other audio devices](#) to learn how to connect an external source like a pre-amplified turntable to any Sonos speaker that has a line-in connection.

Specifications

Feature	Description
Audio	
Amplifier	Six Class-D digital amplifiers perfectly tuned to match the six dedicated speaker drivers and the acoustic architecture.
Tweeter	Three tweeters create the crispest and clearest high-frequency response.
Mid-Woofer	Three mid-woofers ensure you'll hear the faithful playback of mid-range vocal frequencies plus deep, rich bass—without distortion, even at high volumes.
Phased Speaker Array (three drivers on top and three on the bottom)	Creates a wide stereo soundstage that directs the sound left, right, and center.
Stereo Pair	Turn two speakers into separate left and right channel speakers to create wider, deeper sound.

SONOS USER GUIDE

Feature	Description
Home Theater	Add two speakers as surrounds for a true surround sound experience.
Networking*	
Wireless Connectivity	Connects to your home Wi-Fi network with any 802.11b/g/n router. 802.11n only network configurations are not supported—you can either change the router settings to 802.11b/g/n or connect a Sonos product to your router.
Ethernet Port	One 10/100Mbps Ethernet port. You can plug a Sonos product directly into your router if your Wi-Fi is unstable.
General	
Microphones	Speakers that have a serial number starting with 1704 and higher don't have microphones. Speakers that have a serial number starting with 1703 or lower have two microphones, but these microphones aren't enabled and can't be used. If you have any questions please visit www.sonos.com/support .
Power Supply	Auto-switching 100 - 240V ~ 50-60 Hz 2.3A AC universal input.
Audio Line-In	Auto-detecting 3.5mm audio line-in connection.
Dimensions (W x H x D)	14.33 x 8.03 x 6.06 in. (364 x 203 x 154 mm)
Weight	14 lb / 6.36 kg
Threaded Mount	None
Operating Temperature	32° to 104° F (0° to 40° C)
Storage Temperature	-4° to 158° F (-20° to 70° C)
Humidity Resistant	Designed to withstand high-humidity, like in a bathroom with a running shower. (It is not waterproof or water-resistant.)
Product Finish	White matte or black matte exposure, graphite grille
Package Contents	Play:5, power cord, Ethernet cable, and Quickstart Guide.

* Specifications subject to change without notice.

Beam

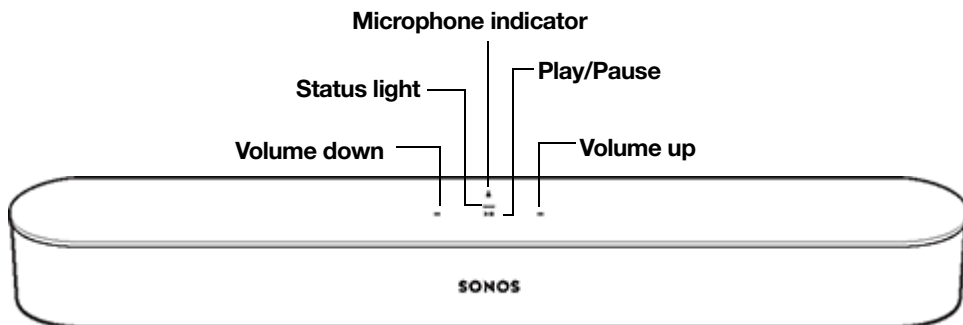
The smart, compact soundbar for your TV—

- Play anything—music, TV, movies, podcasts, radio, audiobooks, and video games.
- Perfect size to wall-mount above or below your TV, or place on a credenza.
- Great for small to medium-sized rooms.
- [Microphone on/off](#) so you can use it hands-free.
- Quick and easy setup, with only one cable to connect to your TV.
- Expandable. Add a Sub and two Sonos speakers, like Play:1s, for 5.1 surround sound. For more information, see [Sonos home theater](#).
- See [Getting started](#) when you’re ready to add a Beam to your Sonos system.


Controls and lights

Swipe, touch, tap, or ask—with Beam you’ve got choices on how to control sound.

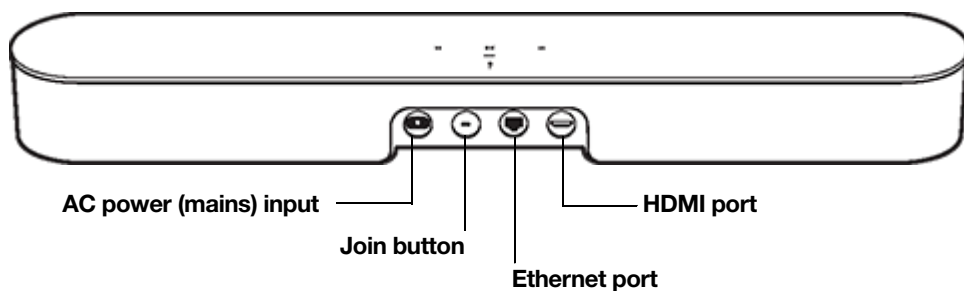
- Use the touch controls—touch or swipe across the controls.
- Voice control—set it up and use your voice to turn the TV on or off, adjust the volume, or play music.
- Use the app.
- Use your TV remote control.



⏮	Volume control	Touch for small adjustments or touch and hold to quickly change the volume: <ul style="list-style-type: none"> • Volume up (right) • Volume down (left) Note: You can also use the app, Alexa, or remote control.
>	Play/Pause	Touch to play or pause sound.
⏮ > ⏭	Next/Previous (Music only)	<ul style="list-style-type: none"> • Swipe right across the touch controls to skip to the next song. • Swipe left to go to the previous song. Note: You can’t skip forward or go back when listening to a radio station.

	<p>Microphone indicator</p>	<ul style="list-style-type: none"> • Tap the microphone light to turn the microphone on or off. • When the light is on, voice control is on and you can use voice commands. • When the light is off, voice control is off. <p>Note: If the light is off, press and hold the Microphone indicator to talk to Alexa. Release the button to turn voice control off again.</p>
<p>Status light</p>		<p>Indicates the status. For more information, see https://faq.sonos.com/led.</p>

Connector panel



<p>AC power (mains) input</p>	<p>Use only the supplied power cord (using a third-party power cord will void your warranty).</p> <p>Note: Insert the power cord firmly until it is flush with the speaker.</p>
<p>Join button</p>	<p>Press to connect during setup.</p>
<p>Ethernet port</p>	<p>Use an Ethernet cable if you want to connect to a router, computer, or network-attached storage (NAS) device (optional).</p>
<p>HDMI port</p>	<p>Use to connect the soundbar to your TV.</p>

Select a location

You can mount Beam to a wall above or below your TV or place it on a credenza.

Place on a credenza

- Place horizontally on a stable and level surface at least 2" (50mm) from the TV.
- Don't place vertically or on its side.
- Don't block the TV's IR sensor.
- If put on a shelf, place at the front and keep 2" (minimum) clearance on both sides for best sound quality.
- Keep 1" (25mm) space (minimum) above Beam so you can reach the touch controls.

SONOS USER GUIDE

- For best sound quality, keep both ends of Beam at least 1' (30cm) from a wall or other obstruction.

Wall mount

To put Beam on a wall, see [Wall Mount](#).

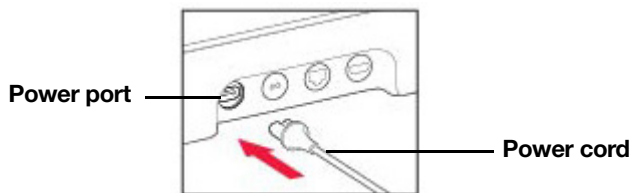
Connect the cables

Before you start

1. Disconnect existing home theater or surround sound equipment from your TV.
2. Connect any external devices, like a cable box or DVD player, directly to your TV.

Connect the power cord

1. Insert the power cord firmly into Beam's AC (mains) power port until it is fully connected.



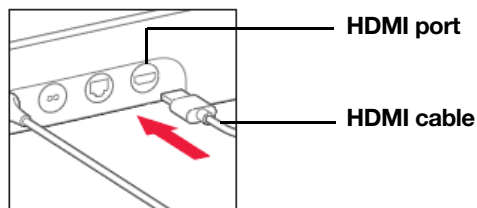
2. Plug the other end of the power cord into an AC (mains) power source.

Caution: Use only the supplied power cord (using a third-party power cord will void your warranty).

Connect Beam to your TV

Use the HDMI cable to connect the soundbar to your TV. You may need the optical adapter too (the app lets you know).

1. Fully insert the HDMI cable into Beam's HDMI port.



2. Connect the HDMI cable to your TV. You have two choices:
 - [If your TV has an HDMI ARC port](#), connect the HDMI cable directly to the TV's HDMI ARC port.
 - [If your TV doesn't have an HDMI ARC port](#), attach the optical adapter to the HDMI cable and connect it to the TV's optical digital OUT port.

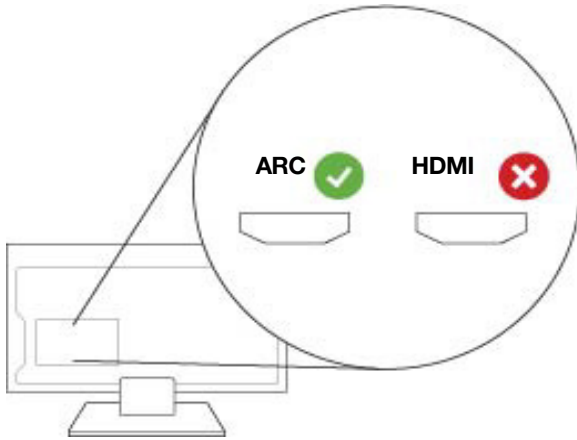
If your TV has an HDMI ARC port

HDMI ARC is a special port that looks like a standard HDMI port. Although they look the same, if you connect to a standard HDMI port, *you won't hear sound*.

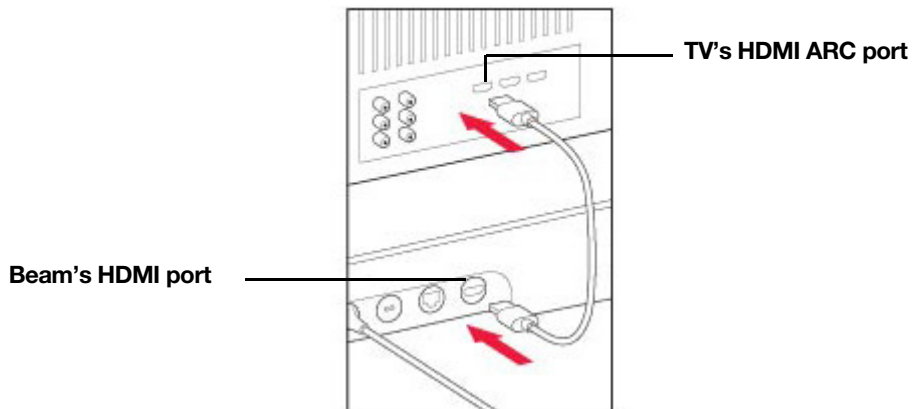
1. On your TV's **audio OUT** panel, look for an **HDMI ARC** port.
It may be on the back or side of your TV.

SONOS USER GUIDE

You'll know it's an ARC port if you see the word "ARC" on the label.



2. Connect the HDMI cable to the TV's **HDMI ARC** port.



Note: If you can't find the word "ARC" on the label, it isn't the correct port. See [If your TV doesn't have an HDMI ARC port.](#)

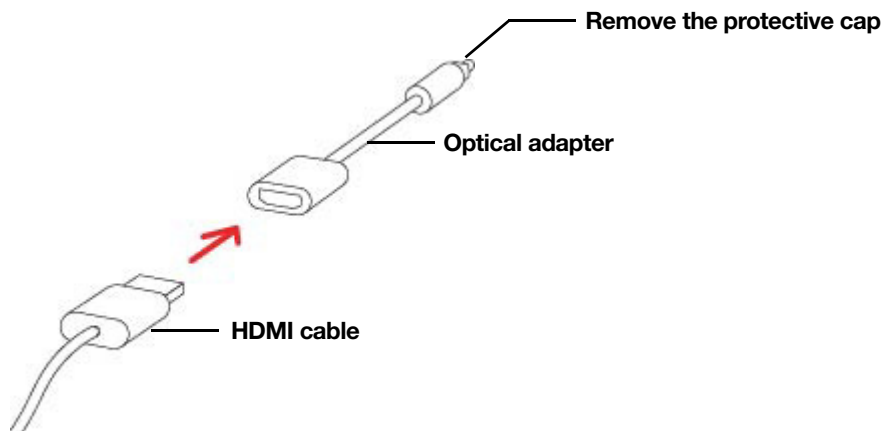
If your TV doesn't have an HDMI ARC port

You'll need the [optical audio adapter](#).

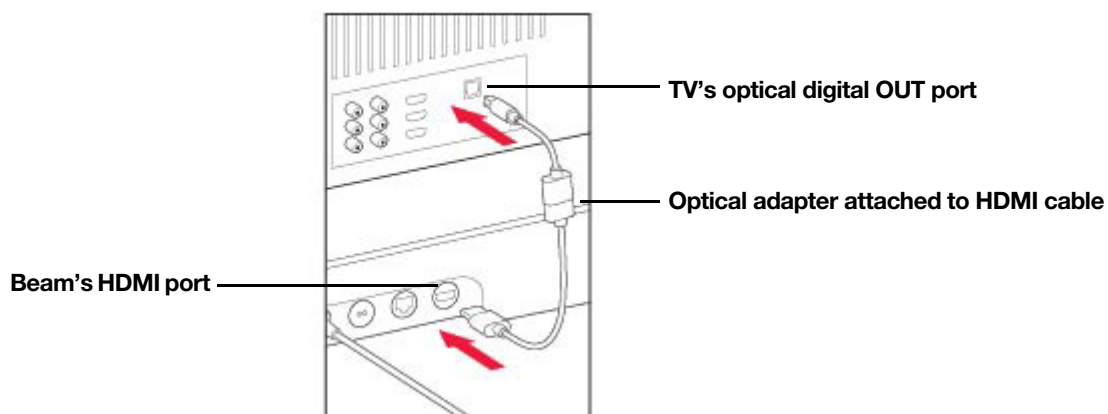
1. Remove the protective cap from the optical adapter.

SONOS USER GUIDE

2. Attach the optical adapter to the HDMI cable.




3. Connect the optical adapter to the TV's **optical digital OUT** port.



Note: The optical adapter's port is "D-shaped" — make sure the connector aligns correctly into the port. Inserting the adapter incorrectly may damage the cable.

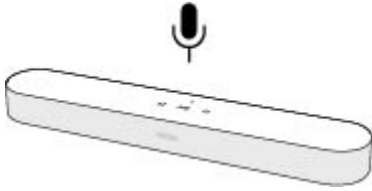
If you don't have the app, download it from the app store. You'll use it to set up and control your Sonos system. See [Getting started](#).


Microphone on/off

Touch  to turn the microphone on and off. (If you don't have a voice service installed, the microphone is inactive.)

SONOS USER GUIDE

When the microphone light is on, voice control is on and Alexa is ready to respond. When the microphone light is off, voice control is off.



If you've installed a voice service and the microphone is off, you can still use voice commands. Just press and hold  while talking to Alexa—no need to start with a wake word. When you release the mic button, voice control turns off again.

Wall Mount

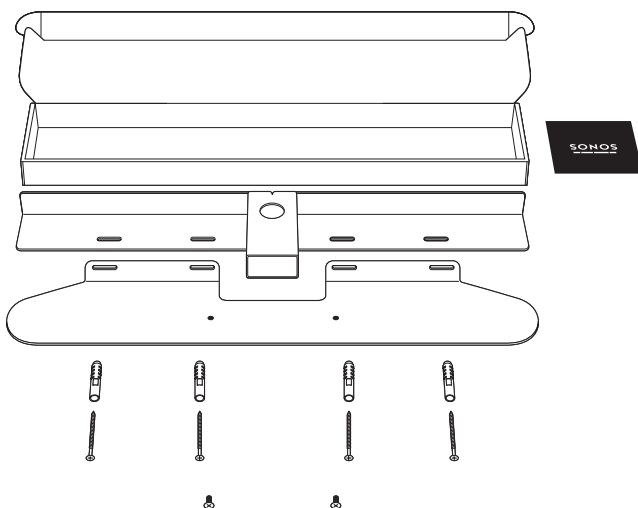
Guidelines

- Use the Beam wall mount kit. You can buy it on www.sonos.com. Follow the instructions in the kit.
- Keep 1" (25mm) space (minimum) above Beam so you can reach the touch controls.
- If you're mounting above the TV, make sure you can reach the touch controls.
- For best sound quality, keep both ends of Beam at least 1' (30cm) from a wall or other obstruction.

Mount kit contents

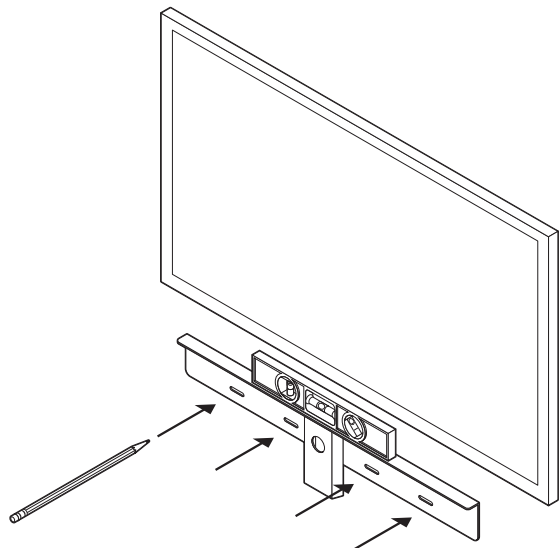
- Wall mount bracket
- 4 wall anchors
- 4 wall screws
- 2 screws

Note: Don't discard the template. It may look like packing material.

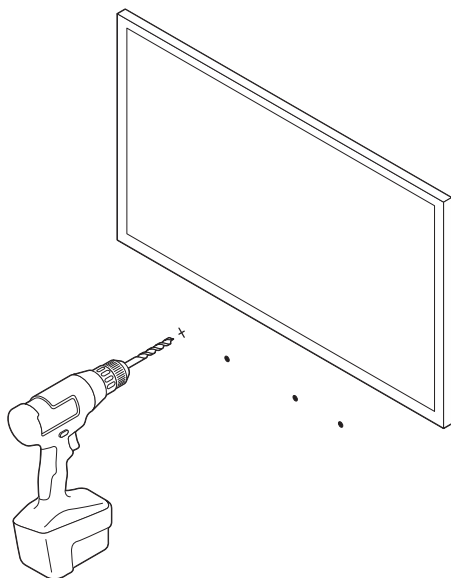


SONOS USER GUIDE

1. Tape the cardboard template to the wall above or below your TV. Use a level. Keep 1" (25mm) space (minimum) for access to Beam's touch controls. (Don't install Beam vertically.)
2. Mark the center of the mounting holes and remove the template.

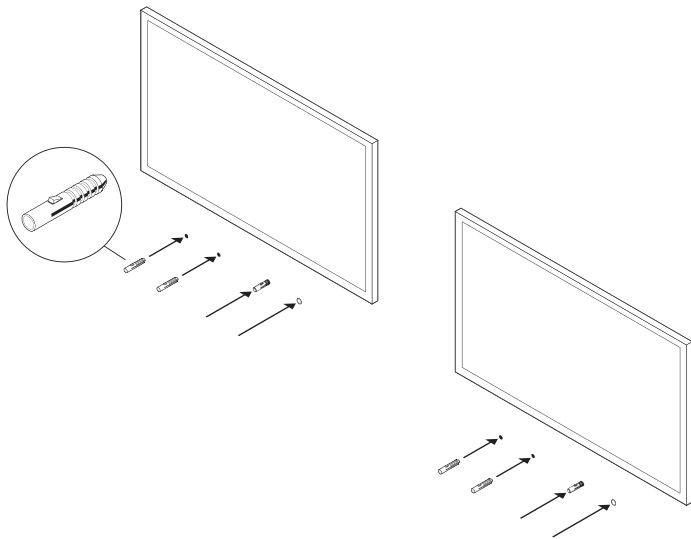


3. Use a 5/16" drill bit to drill pilot holes (see [Wall mounting information](#))

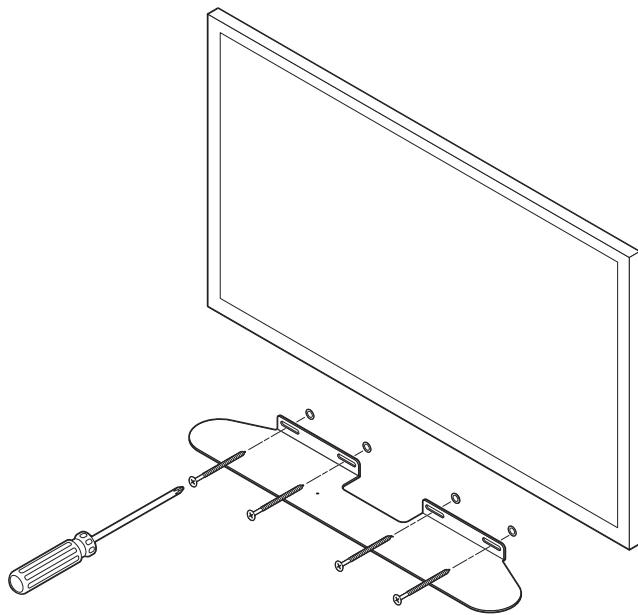


4. Insert and secure the wall anchors (don't use the anchors if drilling into wood).

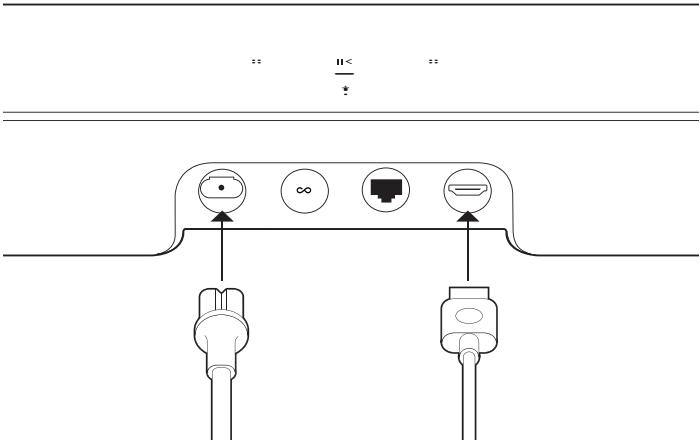
SONOS USER GUIDE



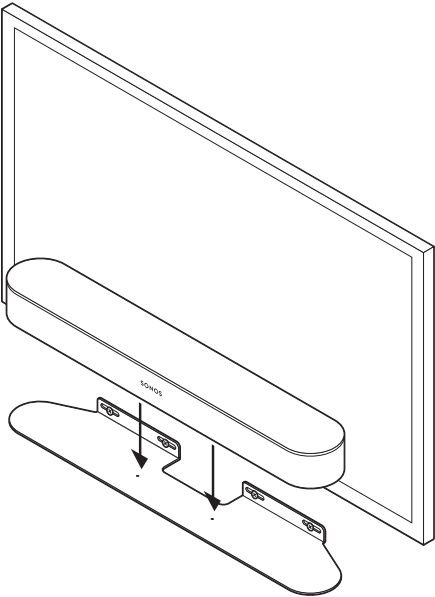
5. Place the bracket on the wall and loosely tighten the wall screws to secure the bracket. Check with a level and then tighten the screws.



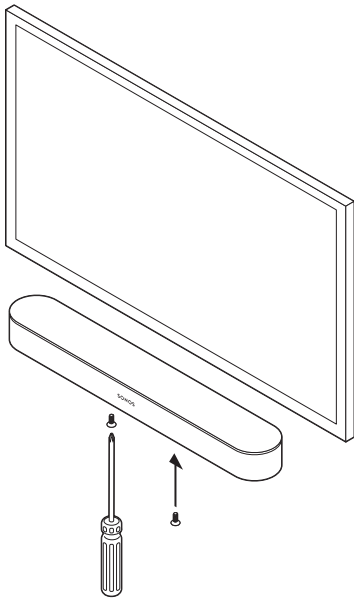
6. Connect the power and HDMI cables to Beam.



7. Place Beam on the bracket.



8. Insert and tighten Beam to the bracket using the mounting screws.



Wall mounting information

Wall Material	Pre Drill	Use Wall Anchors	Use Screws
Wood Stud	1/8" / 3mm bit	No	Yes
Drywall (no stud)	5/16" / 8mm bit	Yes	Yes
Hard wallboard or double board	5/16" / 8mm bit	Yes	Yes
Plaster	5/16" / 8mm bit	No, requires toggle bolt	Yes
Concrete or Brick	5/16" / 8mm bit	Yes	Yes

Specifications

Feature	Description
Audio	
Amplifier	Five Class-D digital amplifiers.
Elliptical Woofer	Four full-range woofers ensures you'll hear the faithful playback of mid-range vocal frequencies plus deep, rich bass.
Tweeter	One tweeter creates a crisp and clear high-frequency response.
Microphones	<ul style="list-style-type: none"> • Five far-field microphone array uses for advanced beam forming and multichannel echo cancellation. • LED hard-wired to voice microphones for privacy control so you know when the microphone is active.

SONOS USER GUIDE

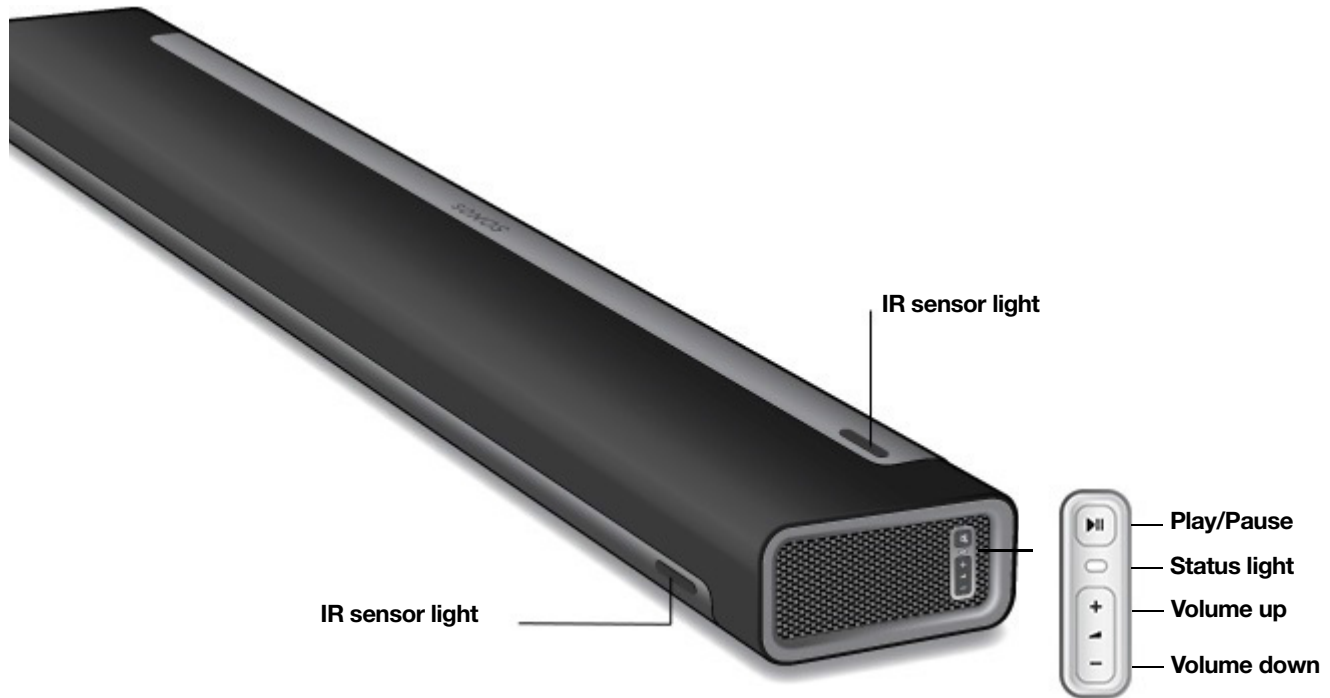
Feature	Description
Voice Control	Integrated voice control.
System Requirements	TV with HDMI ARC or optical digital audio output, broadband internet, and the Sonos app.
Networking*	
Wireless Connectivity	See Sonos requirements .
Ethernet Port	One 10/100 Mbps Ethernet port. You can plug a Sonos product directly into your router if your Wi-Fi is unstable.
General	
Power Supply	Auto-switching 100-240 V, 50-60 Hz 2.5A AC universal input.
Dimensions (H x W x D)	2.68 x 25.63 x 3.94 in. (68 x 651 x 100 mm)
Weight	6.2 lb (2.8 kg)
Operating Temperature	32°F to 104°F (0°C to 40°C)
Storage Temperature	-4°F to 122°F (-20°C to 50°C)
Control	Use your remote control, voice, touch controls or the Sonos app.
Supported Devices	Connects to TV with HDMI cable (with or without an attached optical adapter). Plays sources connected to the TV, including cable boxes and game consoles.
Package Contents	Beam, AC power cord, HDMI cable, optical adapter, Quickstart Guide.

* Specifications subject to change without notice.

Playbar

Home theater soundbar and streaming music speaker in one—

- Sophisticated 9-speaker design.
- Simple two-cord setup. One for power. One for your TV.
- Mount horizontally above or below the TV or place flat on a TV stand.
- Easily expandable. Add a Sub and two Sonos speakers for 5.1 surround sound. For more information, see [Sonos home theater](#).
- See [Getting started](#) when you're ready to add a Playbar to your Sonos system.

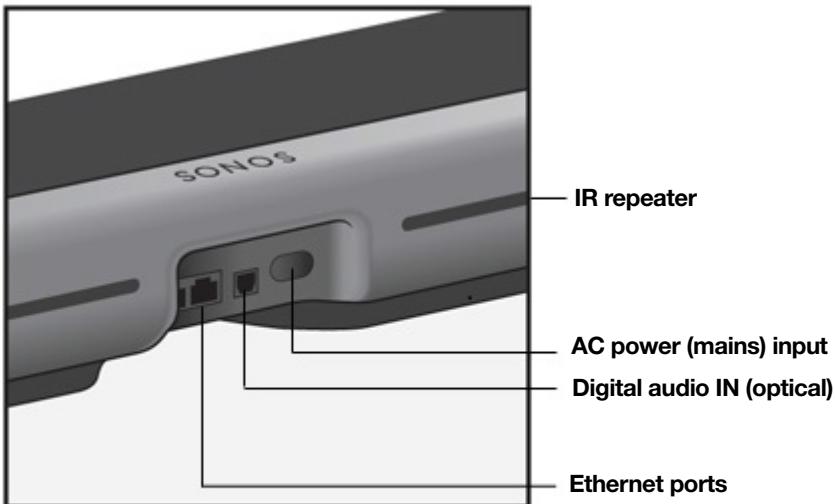


Note: The grille cloth is not removable. Tampering with the cloth may damage your Playbar.

Controls and lights

<p>+ -</p>	<p>Volume up (+) Volume down (-)</p>	<p>Press to adjust the volume. Note: You can also use the app and remote control.</p>
<p>> </p>	<p>Play/Pause</p>	<ul style="list-style-type: none"> • Press <i>once</i> to play or pause music. • Press <i>twice</i> to skip to the next song (if applicable to the selected music source). • Press <i>three times</i> to go back to the previous song. • Press and hold to add the music playing in another room. <p>Note: You can't skip forward or go back when listening to a radio station.</p>
	<p>Status light</p>	<p>Indicates the status. For more information, see https://faq.sonos.com/led.</p>
	<p>IR sensor light</p>	<p>The IR (InfraRed) sensor receives signals sent by a remote control. When the Playbar receives a volume or mute command, the IR light displays momentarily.</p> <p>You can adjust this setting so the light never displays. Go to ••• > Settings > Room Settings and choose the room the Playbar is in. Select Remote > IR Signal Light.</p>

Connector panel



Ethernet ports (2)

Use the supplied Ethernet cable if you want to connect to a router, computer, or network-attached storage (NAS) device (optional).

Digital audio IN (optical)

Use an audio optical cable to connect the Playbar to your TV.

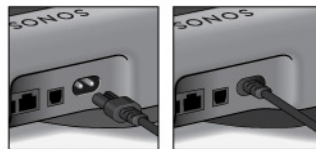


Optical input supports Dolby Digital and stereo.

AC power (mains) input

Use only the supplied power cord (using a third-party power cord will void your warranty).

Note: Insert the power cord firmly until it is flush with the speaker.



IR repeater

Allows the commands from your remote control to reach your TV if the Playbar is positioned in front of the TV.

This setting is on by default, but can be turned off. Go to **...** > **Settings** > **Room Settings** and choose the room the Playbar is in. Select **Remote** > **IR Repeater**.

Select a location

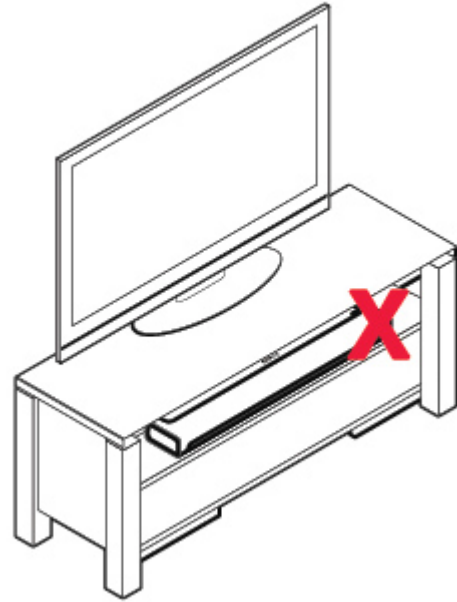
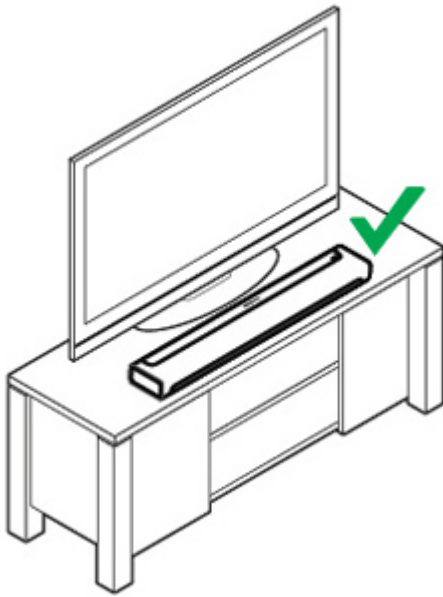
You can mount the Playbar to a wall above or below your TV or place it on a credenza.

Placed on a credenza

- Place horizontally on a stable and level surface at least 2" (50mm) from TV.
- Don't place vertically or on its side.
- Don't block the TV's IR sensor.
- For best sound quality, place with the connector panel **toward** the TV (Sonos logo is closer to TV).
- Don't place in a cabinet or on a shelf.

SONOS USER GUIDE

- Keep both ends of the Playbar at least 1' (30cm) from a wall or other obstruction.



Wall mounted

To put Playbar on a wall, see [Wall mounting](#).

Connect the cables

Before you start

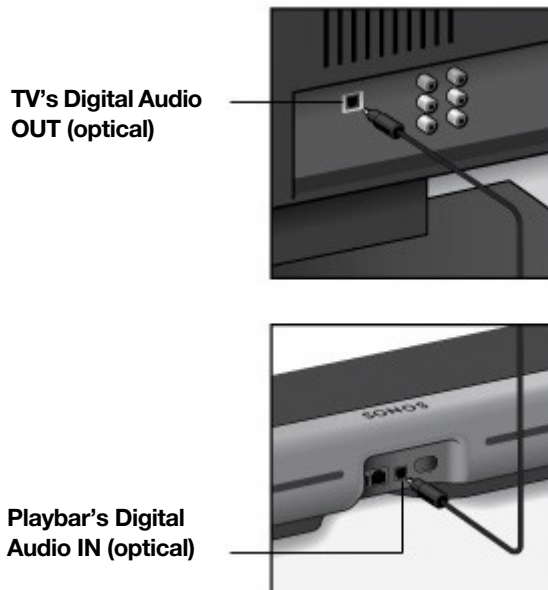
1. Disconnect existing home theater or surround sound equipment from your TV.
2. Connect any external devices, like a cable box or DVD player, directly to your TV.

Connect the soundbar to your TV

1. Remove the protective cap from each end of the optical audio cable.
2. Connect the optical audio cable from your TV's digital audio **OUT** (optical) to the Playbar's digital audio **IN** (optical). Don't twist or bend the cable.

SONOS USER GUIDE

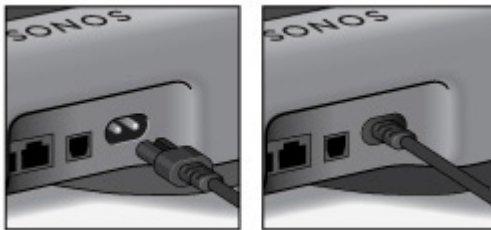
Note: The Playbar's digital audio IN port and the optical cable are 'D-shaped' — make sure the connector aligns correctly into the port.



IMPORTANT: Remove the protective caps from each end of the optical audio cable before inserting.

Connect the power cord

Attach the power cord and plug in the Playbar. *Push the power cord in firmly until it is flush with the surface.*



If you don't have the app, download it from the app store. You'll use it to set up and control your Sonos system. See [Getting started](#).

Wall mounting

You can mount Playbar to a wall above or below a wall-mounted TV. Use the Playbar wall mount kit. You can buy it on www.sonos.com. Follow the instructions in the kit.

Caution: Don't use any other hardware to mount the Playbar.

Guidelines

- When mounting below a TV, keep 1" (25mm) space (minimum) between Playbar and TV.
- When mounting above a TV, keep 2" (50mm) space (minimum) between Playbar and TV.
- Preserve audio quality: make sure the connector panel faces away from the TV.
- Keep both ends of the Playbar at least 1 ft. (30cm) from a wall or other obstruction.

Note: Connect the power and audio cables to the Playbar before mounting to the wall.

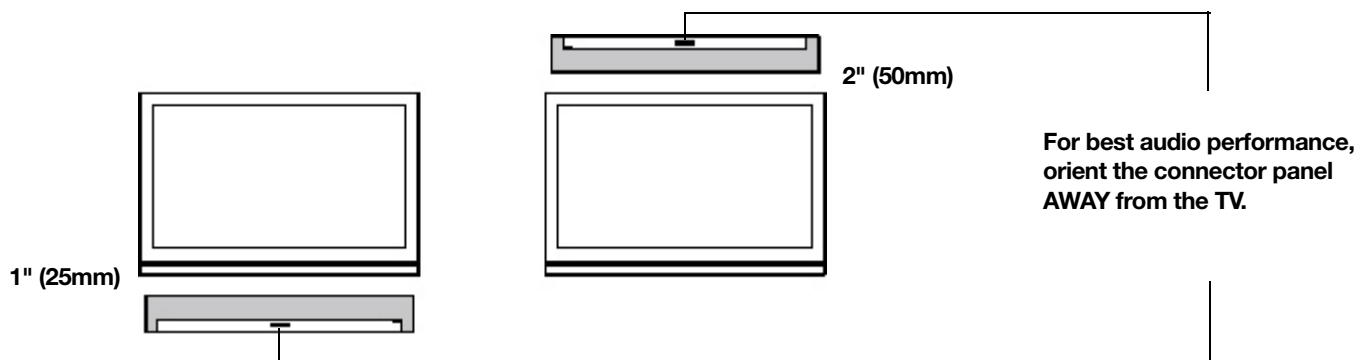
SONOS USER GUIDE

What you need

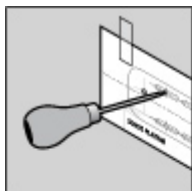
- Masking tape
- Pointed tool (like an awl)
- Phillips head screw driver
- Power drill with Phillips head attachment

Note: There are 2 spare screws (and anchors) included in the kit. Use these to provide additional reinforcement if you'd like.

1. Tape the template to the wall above or below your TV. Use a level.



2. Use a pointed tool to pierce through the template and mark the mounting holes. Mark closer to the corners of the holes.



3. Remove the template.

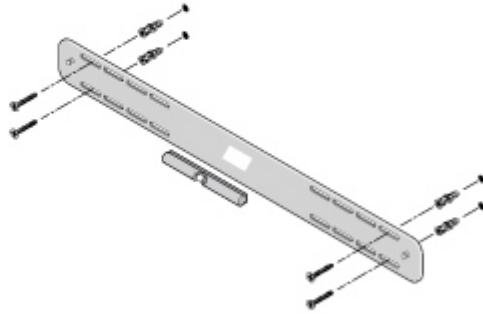
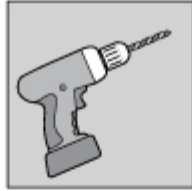
SONOS USER GUIDE

4. Drill pilot holes.

Wall mounting information

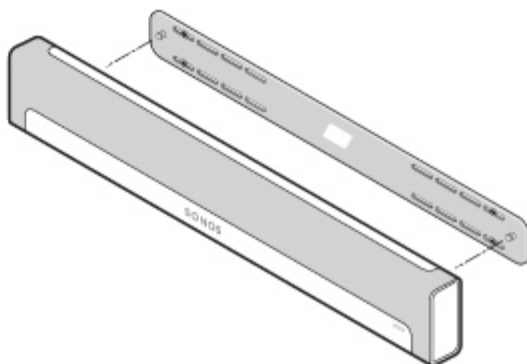
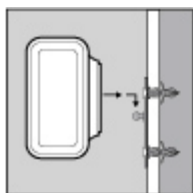
Wall Material	Pre Drill	Use Wall Anchors	Use Screws
Wood Stud	1/8" (3mm) bit	No	Yes
Drywall (no stud)	3/16" (4.5mm) bit	Yes	Yes
Hard wallboard or double board	3/16" (4.5mm) bit	Yes	Yes
Plaster	1/4" (6.5mm) bit	Yes	Yes
Concrete or Brick	1/8" (3mm) bit	Yes	Yes

5. Insert and secure the wall anchors (don't use the anchors if drilling into wood).



6. Place the bracket on the wall and loosely tighten the screws to secure the bracket. Check with a level and then tighten the screws.

7. Hang the Playbar securely on the bracket pegs.



Specifications

Feature	Description
Audio	
Amplifier	Nine Class-D digital amplifiers perfectly tuned to match the nine dedicated speaker drivers and the acoustic architecture.
Tweeter	Three tweeters create the crispest and clearest high-frequency response.
Mid-Woofer	Six mid-woofers give you the full range of sound effects and music from the left and right channels, and crisp, clear dialog from the center. Mid-woofers act together as a phased speaker array so what you hear matches what you see on screen.
System Requirements	TV with optical audio output, broadband Internet, and a Sonos app. Internet-connected TV not required.
Networking*	
Wireless Connectivity	Connects to your home Wi-Fi network with any 802.11b/g/n router. 802.11n only network configurations are not supported—you can either change the router settings to 802.11b/g/n or connect a Sonos product to your router.
Ethernet Port (2)	Two 10/100 Mbps Ethernet ports. You can plug a Sonos product directly into your router if your Wi-Fi is unstable.
General	
Power Supply	Auto-switching 100-240 V, 50-60 Hz 2A AC universal input.

SONOS USER GUIDE

Feature	Description
Dimensions (H x W x D)	3.35" (H) x 35.43" (W) x 5.51" (D), 85mm (H) x 900mm (W) x 140 mm (D)
Weight	11.9 lb (5.4 kg)
Operating Temperature	32°F to 104°F (0°C to 40°C)
Storage Temperature	-4°F to 158°F (-20°C to 70°C)
Multiple Orientations	Mount Playbar on the wall either above or below your TV, or lay flat on your TV table.
Control	Use your remote control, voice, touch controls or the Sonos app.
Supported Devices	Playbar connects to your TV using a single optical cable and plays all sources connected to the TV, including cable boxes and game consoles.
Package Contents	Playbar, AC power cord, optical audio cable, Quickstart Guide, and legal booklet.

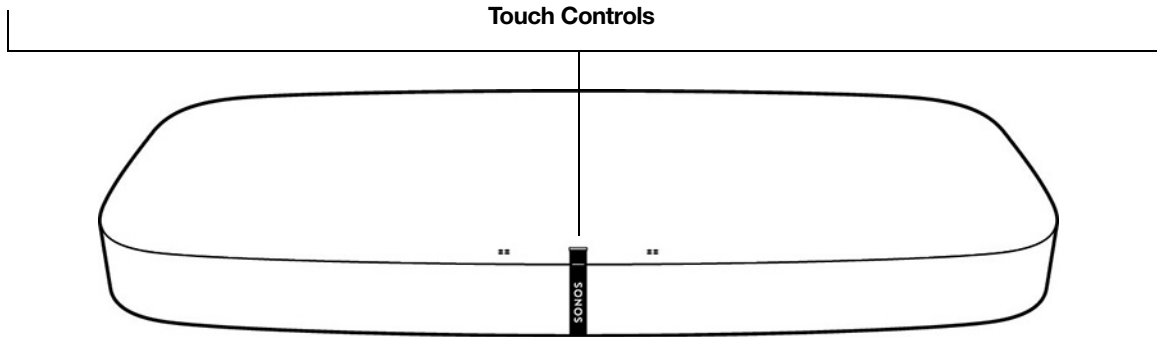
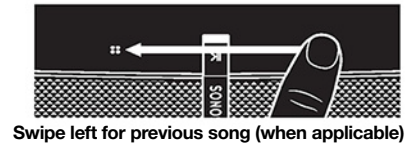
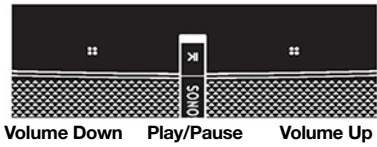
* Specifications subject to change without notice.

Playbase

Full-theater sound and music streaming for TVs on stands and furniture—

- Slim tabletop design practically disappears under your TV.
- Securely supports TVs up to 75 lb (34 kg).
- Simple two-cord setup. One for power. One for your TV.
- Easily expandable. Add a Sub and two Sonos speakers for 5.1 surround sound. For more information, see [Sonos home theater](#).
- See [Getting started](#) when you're ready to add a Playbase to your Sonos system.

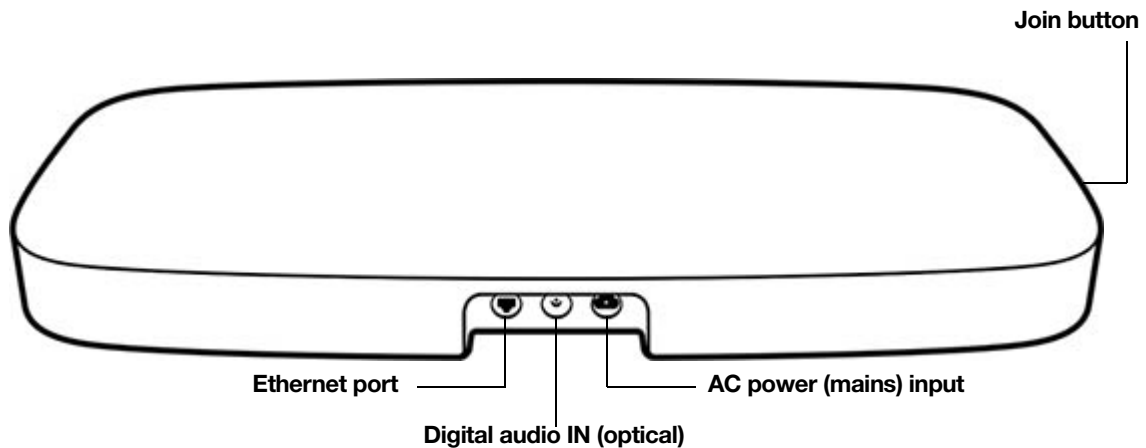
Play and control your music using the Sonos app or the touch controls.



Controls and lights

::	Volume control	<ul style="list-style-type: none"> • Touch and hold to quickly change the volume: • Volume up (right); Volume down (left).
>	Play/Pause	Press to play or pause sound.
:: > ::	Next/Previous song	<ul style="list-style-type: none"> • Swipe right across the touch controls to skip to the next song. • Swipe left to go to the previous song. <p>Note: You can't skip forward or go back when listening to a radio station.</p>
Status light		Indicates the status. For more information, see https://faq.sonos.com/led .
IR sensor light		The IR (InfraRed) sensor receives the signals sent by a remote control. When the Playbase receives a volume or mute command, the IR signal light displays momentarily.

Connector panel



Ethernet port	Use the supplied Ethernet cable if you want to connect to a router, computer, or network-attached storage (NAS) device (optional). You should only use this port to plug in either the Playbase or a Sonos Bridge or Boost.
Digital audio IN (optical)	Use an audio optical cable to connect the Playbase to your TV.

AC power (mains) input

Use only the supplied power cord (using a third-party power cord will void your warranty).

Note: Insert the power cord firmly until it is flush with the speaker.

Join button

Press to connect during setup.

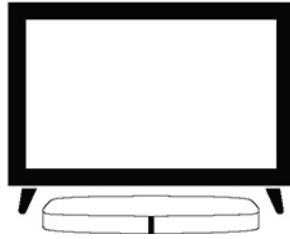
Select a location

You can place the Playbase under your TV or on a shelf.



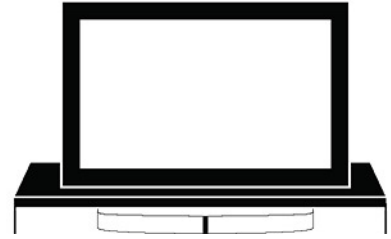
Under TV with single foot stand

- Lift the TV and put Playbase under it with the Sonos logo facing front.
- Make sure the TV stand rests completely on the Playbase with no overhang.
- Your TV should not weigh more than 75 lb (34 kg)
- Allow at least 1" between Playbase and other surfaces, like walls or cabinets.



Under TV with split foot stand

- Playbase accommodates most TVs with separate feet near the edges of the screen. It fits securely between the feet, below the screen.
- Feet must be at least 2.3" (58mm) tall to allow for Playbase clearance.
- If the feet are too close together or they're not quite high enough, don't try to force your Playbase to fit.



On a TV cabinet shelf

- For the best sound, place Playbase toward the front of the furniture but DON'T let it hang over the edge.
- Allow at least 2" all around the Playbase.

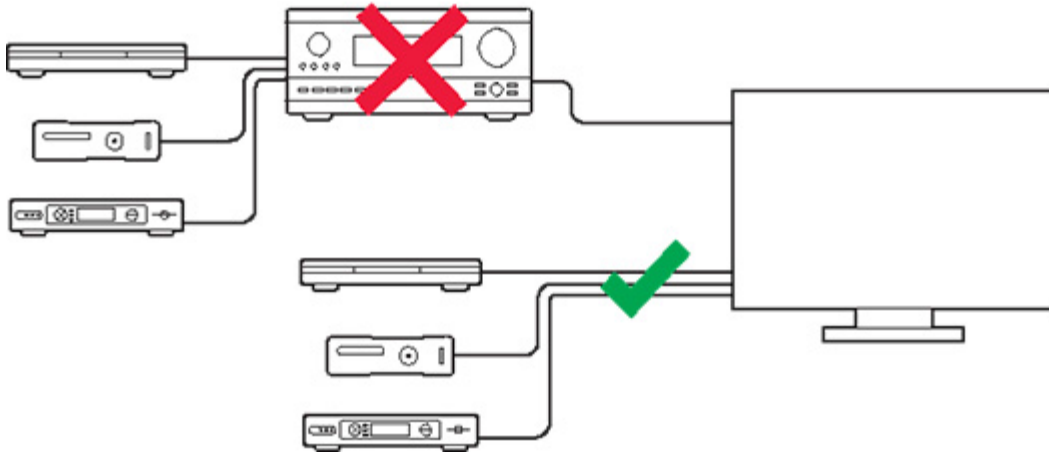
Note: Don't place objects lighter than 5 lb (2.3 kg) on top of your Playbase or the sound may send them flying.

Connect the cables

1. Disconnect existing home theater or surround sound equipment from your TV.

SONOS USER GUIDE

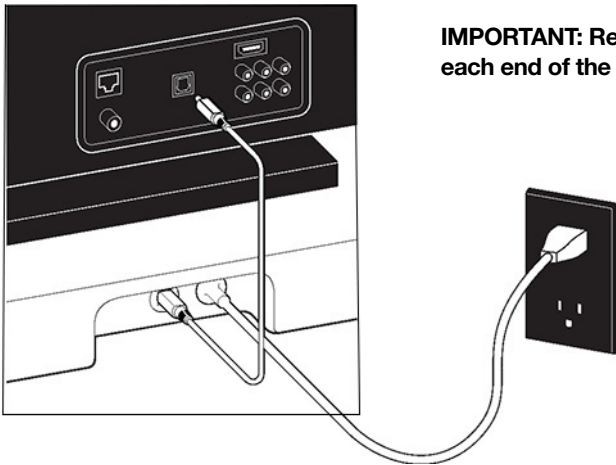
2. Connect any external devices, like a cable box or DVD player, directly to your TV.



Connect Playbase to your TV

1. Remove the protective cap from each end of the optical audio cable.
2. Connect the optical audio cable from your TV's digital audio **OUT** (optical) to the Playbase's digital audio **IN** (optical). Don't twist or bend the cable.

Note: The Playbase's digital audio IN port and the optical cable are 'D-shaped' — make sure the connector aligns correctly into the port.



IMPORTANT: Remove the protective caps from each end of the optical audio cable.

Connect the power cord

Attach the power cord and plug in the Playbase. *Push the power cord firmly into the Playbase until it is flush with the surface.*

If you don't have the app, download it from the app store. You'll use it to set up and control your Sonos system. See [Getting started](#).

Specifications

Feature	Description
Audio	
Amplifier	Ten Class-D digital amplifiers.
Speakers	Ten amplified speaker drivers—six midrange and three tweeters and one woofer.
System Requirements	TV with optical audio output, broadband Internet, and the Sonos app.
Networking*	
Wireless Connectivity	Connects to your home Wi-Fi network with any 802.11b/g/n router. 802.11n only network configurations are not supported—you can either change the router settings to 802.11b/g/n or connect a Sonos product to your router.
Ethernet Port	One 10/100 Mbps Ethernet port. You can plug a Sonos product directly into your router if your Wi-Fi is unstable.
General	
Power Supply	Auto-switching 100 - 240V ~ 50-60 Hz 2.3A AC universal input.
Dimensions (H x W x D)	2.20 x 28.35 x 14.96 in. (56 x 720 x 380 mm)
Weight	21.5 lb (9.8 kg)
Operating Temperature	32°F to 104°F (0°C to 40°C)
Storage Temperature	-4°F to 158°F (-20°C to 70°C)
Control	Use your remote control, voice, touch controls or the Sonos app.
Supported Devices	Playbase connects to your TV using a single optical cable and plays all sources connected to the TV, including cable boxes and game consoles.
Package Contents	Playbase, AC power cord, Ethernet cable, optical audio cable, and Quickstart Guide.

* Specifications subject to change without notice.

Amp

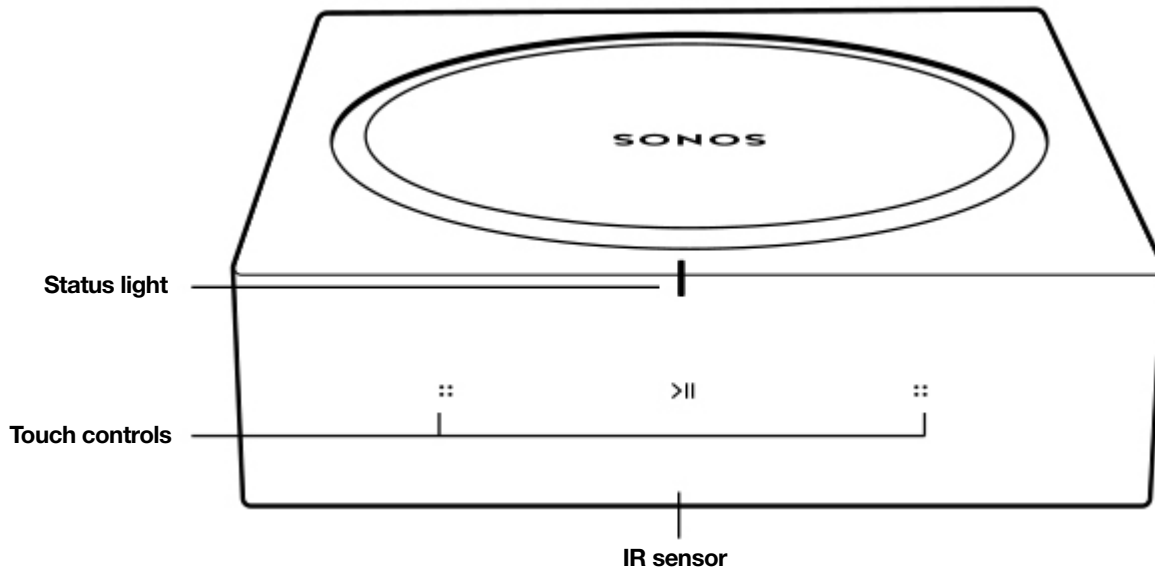
Amp features a built-in state-of-the-art digital amplifier that can power large or small speakers so you can enjoy superior audio in any room.

- Power your bookshelf, floor-standing, in-wall, and in-ceiling speakers.
- Connect to your TV to create the ultimate entertainment system.
- Stream everything you love with the Sonos app and AirPlay.
- Plug in any audio device, like a turntable or a phone, and listen out loud.
- See [Getting started](#) when you're ready to add Amp to your Sonos system.

Controls and lights

Swipe, touch, or tap—with Amp you've got choices on how to control the sound.


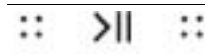
- Use the touch controls on Amp.
- Use our app.
- Use your TV remote control.



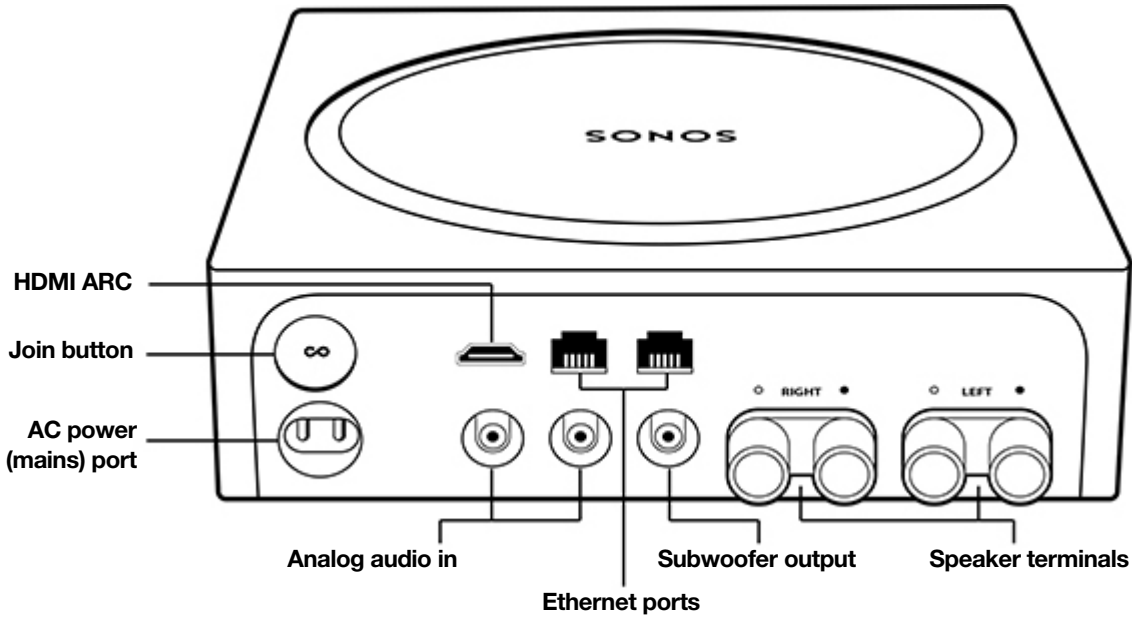
Note: See [The Sonos app](#) for more information on how to use our app.

Touch controls

	Status light	Indicates the status. For more information, see http://faq.sonos.com/led .
::	Volume control	Touch for small adjustments or touch and hold to quickly change the volume: <ul style="list-style-type: none">• Volume up (right)• Volume down (left) Note: You can also use our app or your remote control.

	<p>Play/Pause</p>	<p>Touch to play or pause sound.</p> <ul style="list-style-type: none"> • TV—When the TV is on, touch > to toggle the sound on and off. • Music—When the TV is off, touch > to pause or restart music.
	<p>Next/Previous (Music only)</p>	<ul style="list-style-type: none"> • Swipe right across the touch controls to skip to the next song. • Swipe left to go to the previous song. <p>Note: You can't skip forward or go back when listening to a radio station.</p>
<p>IR sensor</p>		<p>The IR (InfraRed) sensor receives signals sent by a remote control.</p>

Connector panel



<p>HDMI ARC</p>	<p>Use an HDMI cable to connect Amp to your TV's HDMI ARC port.</p>
<p>Join button</p>	<p>Press to connect during setup.</p>
<p>AC power (mains) port</p>	<p>Use only the supplied power cord (using a third-party power cord will void your warranty).</p> <p>Note: Insert the power cord firmly.</p>

Analog audio in	Use a standard RCA audio cable to connect Amp's analog audio inputs to the audio outputs from a separate audio component, such as a turntable or a portable music player.
Ethernet ports (2)	Use an Ethernet cable if you want to connect to a router, computer, or network-attached storage (NAS) device (optional).
Subwoofer output Note: If you disconnect your subwoofer, make sure to also disconnect the subwoofer's cable from the Amp output.	Connect a powered subwoofer to this output using a standard RCA cable. The system will detect when a cable is connected to the subwoofer output and adjust the crossover frequency automatically.
Speaker terminals	Use high-quality speaker wire to connect your speakers to Amp.

What can you do with Amp?

Play music through your favorite speakers

Connect your favorite bookshelf, floor-standing, in-wall, or in-ceiling speakers to Amp to stream all the music you love. Connect a turntable, stereo, or portable music player and play the sound on any Sonos speaker.

Enhance your TV sound

Connect Amp to your TV to create the ultimate entertainment system.

- Use Amp and a pair of 3rd-party speakers to create two front audio channels.
- Use Amp with third-party speakers to add surround sound if you already have a Sonos home theater speaker (Beam, Playbase, Playbar, or another Amp) connected to your TV.

(For even deeper sound, add a Sonos Sub or connect a third-party subwoofer.)

See [Connect Amp to your TV](#) for setup information.

Select a location

You can place Amp just about anywhere— in an electronics rack, on a shelf, or on a credenza with your TV.

Rack mounted

- Amp mounts perfectly in any electronics rack.
- Place two Amps side by side in a 2U rack.
- Place four Amps in a 3U rack.

Placed on a credenza

- Place horizontally on a stable and level surface at least 3 in / 50 mm from the TV.
- Don't block the TV's IR sensor.
- If put on a shelf, place at the front and keep 3" (minimum) clearance on all sides.
- Don't block the front of Amp so you can reach the touch controls.

Connect the cables

Attach desired speakers

Your speakers' power rating should be at least 125W for 8 ohm speakers, and at least 200W for 4 ohm speakers. Do not connect speakers rated at less than 4 ohm.

Note: Amp can drive speakers with nominal impedance above 4 ohms. Two pairs of 8 ohm speakers wired in parallel are also supported. Don't wire your speakers in series because it will result in poor sound quality.

1. Remove the cap from the banana plug to reveal the connection hole.
2. Insert the stripped end of the speaker wire into the hole, then return the cap to the banana plug to secure the connection.

Note: Connect the **red** (+) and **black** (-) terminals from each speaker to the corresponding banana plug and terminal on Amp. Mismatching of polarities will result in weak central sound and a distorted sense of sound direction.

3. Insert the banana plug into the proper speaker terminal on the back of Amp.
4. Repeat to install the other speaker wires.

Connect the power cord

Attach the power cord and plug in Amp.

You'll use our app to set up and control your Sonos system. If you don't have the Sonos app, download it from your app store. See [Controls and lights](#).

Connect Amp to your TV

Use an HDMI cable to connect Amp to your TV. When connected, Amp creates two front audio channels and plays your TV sound through your favorite non-Sonos speakers.

Note: You may need the [optical adapter](#) too (the app lets you know).

1. Fully insert the HDMI cable into Amp's HDMI port.
2. Connect the HDMI cable to your TV. You have two choices:
 - **If your TV has an HDMI ARC port**, connect the HDMI cable directly to the TV's HDMI ARC port.
 - **If your TV doesn't have an HDMI ARC port**, attach the optical adapter to the HDMI cable and connect it to the TV's optical digital OUT port.

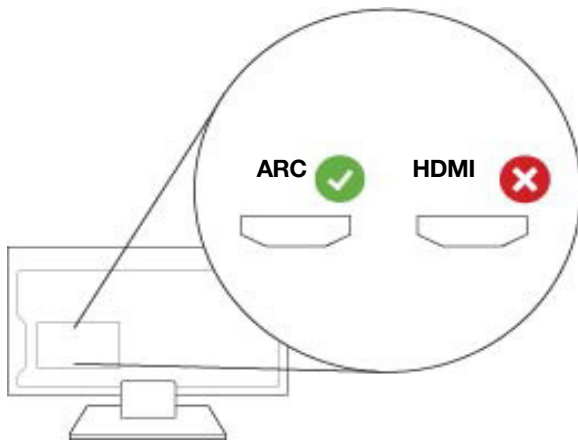
If your TV has an HDMI ARC port

HDMI ARC is a special port that looks like a standard HDMI port. Although they look the same, if you connect to a standard HDMI port, *you won't hear sound*.

1. On your TV's **audio OUT** panel, locate the **HDMI ARC** port.

SONOS USER GUIDE

It may be on the back or side of your TV. Look for the port with “ARC” on the label.



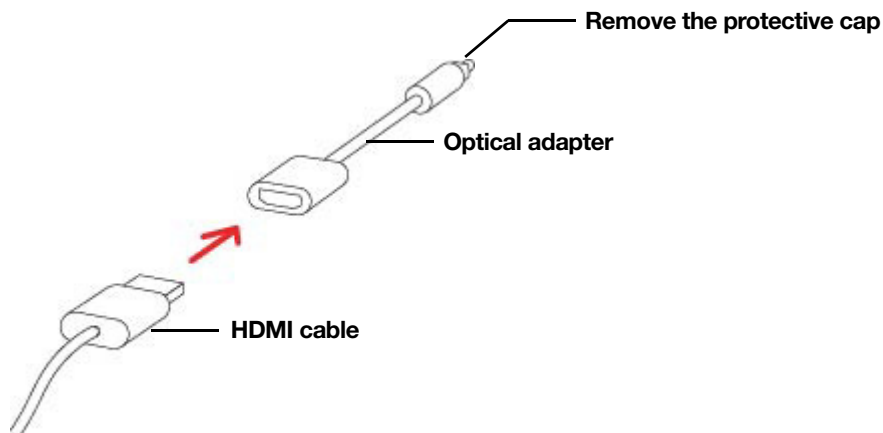
2. Connect the HDMI cable to the TV's **HDMI ARC** port.

Note: If you can't find a port with the word “ARC” on the label, your TV doesn't have an HDMI ARC port. See [if your TV doesn't have an HDMI ARC port](#).

If your TV doesn't have an HDMI ARC port

You'll need the [optical audio adapter](#).

1. Remove the protective cap from the optical adapter.
2. Attach the optical adapter to the HDMI cable.



3. Connect the optical adapter to the TV's **optical digital OUT** port.

Note: The optical adapter's port is “D-shaped”—make sure the connector aligns correctly into the port. Inserting the adapter incorrectly may damage the cable.

You'll use our app to set up and control your Sonos system. If you don't have the Sonos app, download it from your app store. See [Controls and lights](#).

Line-in

See [From other audio devices](#) to learn how to connect an external source like a pre-amplified turntable to any Sonos speaker that has a line-in connection.

Change from stereo to mono

Amp plays audio in stereo by default. You can set it so that Amp plays in two mono channels when playing music.

1. Tap **⋮** > **Settings** > **Room Settings** and select the room.
2. Tap **Advanced Audio** > **Stereo/Mono**, then choose an option.

Specifications

Feature	Description
Audio	
Amplifier	Class-D digital amplifier
Amplifier power	125W/Ch into 8 ohms
Speaker Connections	Banana plugs (2)
Line-In Sources Supported	Audio device with analog RCA output or optical output (optical adapter required). TV device with HDMI ARC or optical output (optical adapter required).
Subwoofer Output	Auto-detecting RCA type, adjustable crossover
Networking	
Wireless Connectivity	Connects to your home Wi-Fi network with any 802.11 b/g/n router. 802.11n only network configurations are not supported—you can either change the router settings to 802.11 b/g/n or connect a Sonos product to your router.
Ethernet Ports	Dual Ethernet ports can connect Amp to a wired home network and allow for connection of additional Sonos players.
General	
System Requirements	Passive speakers with speaker wire, broadband internet, and Sonos app.
Power Supply	Auto-switching 100-240V, 50-60 Hz AC universal input.
Controls	Touch interface with volume up/down, previous/next track and play/pause.
Status indicator	Light indicates Amp status.
Dimensions (H x W x D)	2.52 x 8.54 x 8.54 in. (64 x 217 x 217 mm)
Weight	4.6 lbs. (2.1 kg)
Operating Temperature	32°F to 104°F (0°C to 40°C)

SONOS USER GUIDE

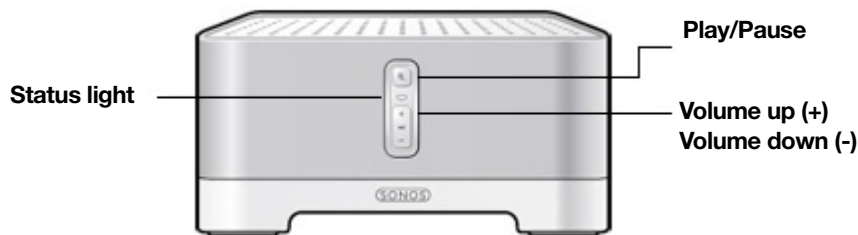
Feature	Description
Storage Temperature	-4°F to 122°F (-20°C to 50°C)
Product Finish	Black
Package Contents	Sonos Amp, Sonos banana plugs (2), AC power cord, and Quickstart Guide.

* Specifications subject to change without notice.

Connect:Amp

The amplified music streaming upgrade for your favorite indoor or outdoor speakers—

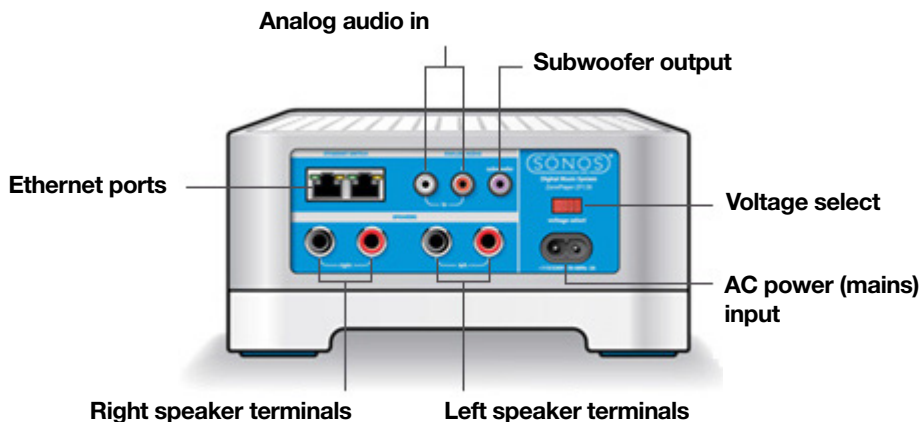
- Plug in any audio device, like a turntable or a phone, and listen out loud.
- Built-in amplifier powers large or small speakers.
- RCA line-in for connecting a range of playback sources.
- Pairs with your Sonos home theater speaker for surround sound using your favorite non-Sonos speakers.
- See [Getting started](#) when you're ready to add a Connect:Amp to your Sonos system.



Controls and lights

<p>+ -</p>	<p>Volume up (+) Volume down (-)</p>	<p>Press to adjust the volume. Note: You can also use the app.</p>
<p>▶ </p>	<p>Play/Pause</p>	<ul style="list-style-type: none"> • Press <i>once</i> to play or pause music. • Press <i>twice</i> to skip to the next song (if applicable to the selected music source). • Press <i>three times</i> to go back to the previous song. • Press and hold to add the music playing in another room. <p>Note: You can't skip forward or go back when listening to a radio station.</p>
	<p>Status light</p>	<p>Indicates the status. For more information, see https://faq.sonos.com/led.</p>

Connector panel



Ethernet ports (2)

You can use an Ethernet cable (supplied) to connect to a router, computer, or additional network device like a network-attached storage (NAS) device.

LED indicators:

- Green (link connection)
- Flashing Yellow (network activity)

Right speaker terminals

Use high-quality speaker wire to connect the right speaker to Connect:Amplifier.

Left speaker terminals

Use high-quality speaker wire to connect the left speaker to Connect:Amplifier.

Voltage select

100 – 120V~ / 220 – 240V~ 50 – 60 Hz
 Select the appropriate voltage setting for your country.

AC power (mains) input

Use only the supplied power cord to connect to a power outlet (using a third party power cord will void your warranty).

Analog audio in

You may use a standard RCA audio cable to connect the Connect:Amplifier's analog audio inputs to the audio outputs from a separate audio component, like a turntable.

Subwoofer output

Note: If you disconnect your subwoofer, make sure to also disconnect the subwoofer's cable from the Connect:Amplifier output.

You may connect a powered subwoofer to this output using a standard RCA cable. The system will detect when a cable is connected to the subwoofer output and adjust the crossover frequency automatically.

Connect the cables

Attach desired speakers

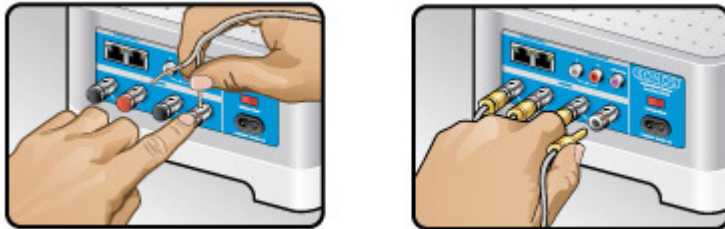
SONOS USER GUIDE

Your speaker's power rating should be at least 55W for 8 ohm speakers, and at least 100W for 4 ohm speakers. Don't connect speakers rated at less than 4 ohms.

1. Use your thumb or finger to firmly push the spring-loaded speaker connector post inward to reveal the connection hole.
2. Insert the stripped end of the speaker wire into the hole, and then release. The stripped portion should be caught firmly in the connector post.

Note: Connect the **red (+)** and **black (-)** terminals from each speaker to the corresponding terminals on the Connect:Amp. Mismatching of polarities will result in weak central sound, and a distorted sense of sound direction.

3. Repeat to install the other speaker wires.



If your speakers have banana connectors, you can insert the plugs directly into the banana jacks on the back of the Connect:Amp instead.

Connect the power cord

Attach the power cord and plug in the Connect:Amp.

If you don't have the app, download it from the app store. You'll use it to set up and control your Sonos system. See [Getting started](#).

Line-in

See [From other audio devices](#) to learn how to connect an external source like a pre-amplified turntable to any Sonos speaker that has a line-in connection.

Specifications

Feature	Description
Audio	
Amplifier	Class-D
Rated Output	110W RMS (2x55W continuous average power into 8 ohms, THD+N<0.02%)*
Speaker Connections	Spring binding posts (in North America, the Connect:Amp has combined spring binding post/banana jack connectors).
Line-In Connections	Auto-detecting RCA type

SONOS USER GUIDE

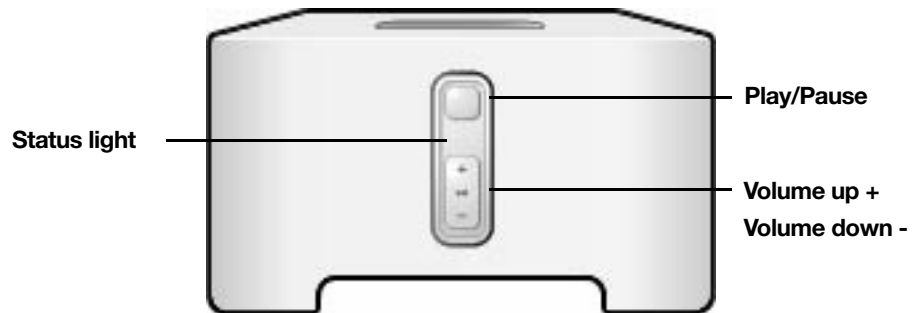
Feature	Description
Subwoofer Output	Auto-detecting RCA type, 80 Hz crossover
Home Theater	Pairs with a Sonos home theater speaker for a true surround sound experience. You must use Ethernet cables to connect both Sonos products to your router when you use Connect:Amp for surround sound.
Networking*	
Wireless Connectivity	Connects to your home Wi-Fi network with any 802.11b/g/n router. 802.11n only network configurations are not supported—you can either change the router settings to 802.11b/g/n or connect a Sonos product to your router.
Ethernet port	Two 10/100 Mbps Ethernet ports. You can plug a Sonos product directly into your router if your Wi-Fi is unstable.
General	
Power Supply	100–120V~ / 220–240V~ 50–60 Hz 2A
Dimensions (H x W x D)	3.50 x 7.28 x 8.15 in. (89 x 185 x 207 mm)
Weight	5.1 lb (2.3 kg)
Operating Temperature	32° to 104° F (0° to 40° C)
Storage Temperature	-4° to 158° F (-20° to 70° C)
Product Finish	Anodized precision machined extrusion aluminum case. Aluminum casing also facilitates passive cooling.
Package Contents	Connect:Amp, power cord, Ethernet cable, and Quickstart Guide.

* Specifications subject to change without notice.

Connect

The instant music streaming upgrade for your existing stereo or receiver—

- Brings music streaming to the audio equipment you already own.
- Flexible. Features analog, optical and coaxial digital audio outputs.
- Line-in. Plug in any device you desire.
- Stream LPs from your amplified turntable to Sonos speakers in any room.
- See [Getting started](#) when you're ready to add a Connect to your Sonos system.



Controls and lights

<p>+ -</p>	<p>Volume up (+) Volume down (-)</p>	<p>Press to adjust the volume. Note: You can also use the app.</p>
<p>▶ </p>	<p>Play/Pause</p>	<ul style="list-style-type: none"> • Press <i>once</i> to play or pause music. • Press <i>twice</i> to skip to the next song (if applicable to the selected music source). • Press <i>three times</i> to go back to the previous song. • Press and hold to add the music playing in another room. <p>Note: You can't skip forward or go back when listening to a radio station.</p>
<p>Status light</p>		<p>Indicates the status. For more information, see https://faq.sonos.com/led.</p>

Connector panel



<p>Ethernet ports (2)</p>	<p>You can use an Ethernet cable (supplied) to connect to a router, computer, or additional network device like a network-attached storage (NAS) device. LED indicators:</p> <ul style="list-style-type: none"> • Flashing Green (network activity) • Yellow (link connection)
<p>AC power (mains) input</p>	<p>Use only the supplied power cord (using a third-party power cord will void your warranty).</p>

Analog audio in	Use a standard RCA audio cable (supplied) to connect the audio outputs from a separate audio component, like a pre-amplified turntable, to the Sonos Connect's analog audio inputs.
Analog audio out	Use a standard RCA audio cable (supplied) to connect the Sonos product's analog audio outputs to the audio inputs on a separate audio component, like an amplifier or your home theater receiver.
TOSLINK digital audio out	You can use a TOSLINK optical audio cable to connect the Sonos Connect's TOSLINK digital audio output to the audio inputs on a separate audio component, like an amplifier or your home theater receiver.
Coaxial digital audio out	You can use a digital coaxial cable to connect the Sonos product's coaxial digital audio output to the audio inputs on a separate audio component, like an amplifier or your home theater receiver.

Connect the cables

Connect the power cord

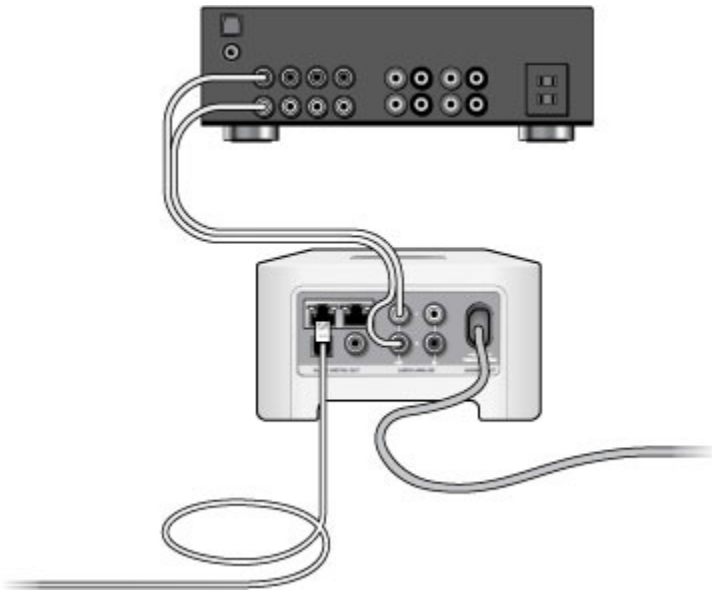
Attach the power cord and plug in the Sonos Connect.

If connecting to powered speakers

You may need a Y-adaptor audio cable (one 1/8" stereo miniplug to dual RCA male connectors) to connect the computer's speakers to the audio outputs on the Sonos product. If your speakers have a male 1/8" stereo plug, you'll need to attach a female-to-female coupler between the speaker plug and the Y-adaptor audio cable.

If you don't have the app, download it from the app store. You'll use it to set up and control your Sonos system. See [Getting started](#).

If connecting to a home theater or amplifier



- If you have *digital inputs* on your home theater or amplifier, you can use either a TOSLINK optical audio cable or a digital coaxial cable to connect the Sonos Connect's digital output to the digital input on the receiver.
- If you have *analog inputs* on your home theater or amplifier, use a standard RCA audio cable to connect the Sonos Connect's analog audio output to the audio inputs on the receiver.
- Select the proper input channel on the receiver. See [Control volume from a home theater or amplifier](#) to adjust volume settings.

If you don't have the app, download it from the app store. You'll use it to set up and control your Sonos system. See [Getting started](#).

If connecting to a computer

You'll need a stereo mini to RCA Y-adaptor audio cable (one 1/8" stereo miniplug to dual RCA male connectors) to connect the Sonos product's analog audio output to the computer's audio input.

If you don't have the app, download it from the app store. You'll use it to set up and control your Sonos system. See [Getting started](#).

Line-in

See [From other audio devices](#) to learn how to connect an external source like a pre-amplified turntable to any Sonos speaker that has a line-in connection.

Line-out

Control volume from a home theater or amplifier

To control the volume exclusively from your home theater or amplifier, you can change the line-out level on the Sonos Connect to **Fixed**.

Go to **••• > Settings > Room Settings**. Select the Sonos product attached to the receiver. Select **Line-Out Level**, and choose **Fixed**.

Note: When you change the line-out level to **Fixed** on your Sonos Connect you won't be able to adjust the volume or the equalization settings using a Sonos app.

Control the volume from Sonos

1. Adjust your home theater or amplifier's volume to typical listening volume.
2. If the line-out level is not currently set to **Variable**, you'll need to change it. Go to **...** > **Settings** > **Room Settings**. Select the Sonos product attached to the receiver. Select **Line-Out Level** and choose **Variable**.
3. Use the Sonos app to adjust the volume on your Sonos system so you can hear music. This may be at the high end of the volume scale.
4. If desired, you can readjust the volume on your home theater system or amplifier so that the volume range for the app falls within your typical listening range.

Use Sonos to control the volume on your home theater or amplifier

Set the **Line-Out Level** to **Pass-Through** to use Sonos to control the volume on your home theater or amplifier. You can adjust the volume using the Sonos app, the controls on a speaker, a third-party controller, or even your voice (if you have a voice-enabled speaker).

Go to **...** > **Settings** > **Room Settings**. Select the Sonos Connect attached to the receiver. Select **Line-Out Level**, and choose **Pass-Through**. Connect will stay at a fixed volume level and send volume commands to your home theater or amplifier to adjust the volume.

Note: Before setting the **Line-Out Level** to **Pass-Through**, make sure your amplifier supports it. If your amplifier doesn't support **Pass-Through**, you won't be able to control the volume when you choose it as the **Line-Out Level**.

Specifications

Feature	Description
Audio	
Sound Quality	THD+N<0.009%, 20 Hz-20 kHz
Line In	Analog (RCA), auto-detecting
Line Out	Analog (RCA), digital (optical and coaxial)
Networking*	
Wireless Connectivity	Connects to your home Wi-Fi network with any 802.11b/g/n router. 802.11n only network configurations are not supported—you can either change the router settings to 802.11b/g/n or connect a Sonos product to your router.
Ethernet port	Two 10/100 Mbps Ethernet ports. You can plug a Sonos product directly into your router if your Wi-Fi is unstable.
General	

SONOS USER GUIDE

Feature	Description
Power Supply	Auto-switching 100-240 V, 50-60 Hz 0.3 A AC universal input.
Dimensions (H x W x D)	2.91 x 5.35 x 5.51 in. (74 x 136 x 140 mm)
Weight	1.5 lb (.69 kg)
Operating Temperature	32° to 104° F (0° to 40° C)
Storage Temperature	-4° to 158° F (-20° to 70° C)
Product Finish	Light gray/high quality polycarbonate material
Package Contents	Sonos Connect, power cord, Ethernet cable, RCA stereo audio cable, stereo mini (male) to RCA (male) Y audio cable, and Quickstart Guide.

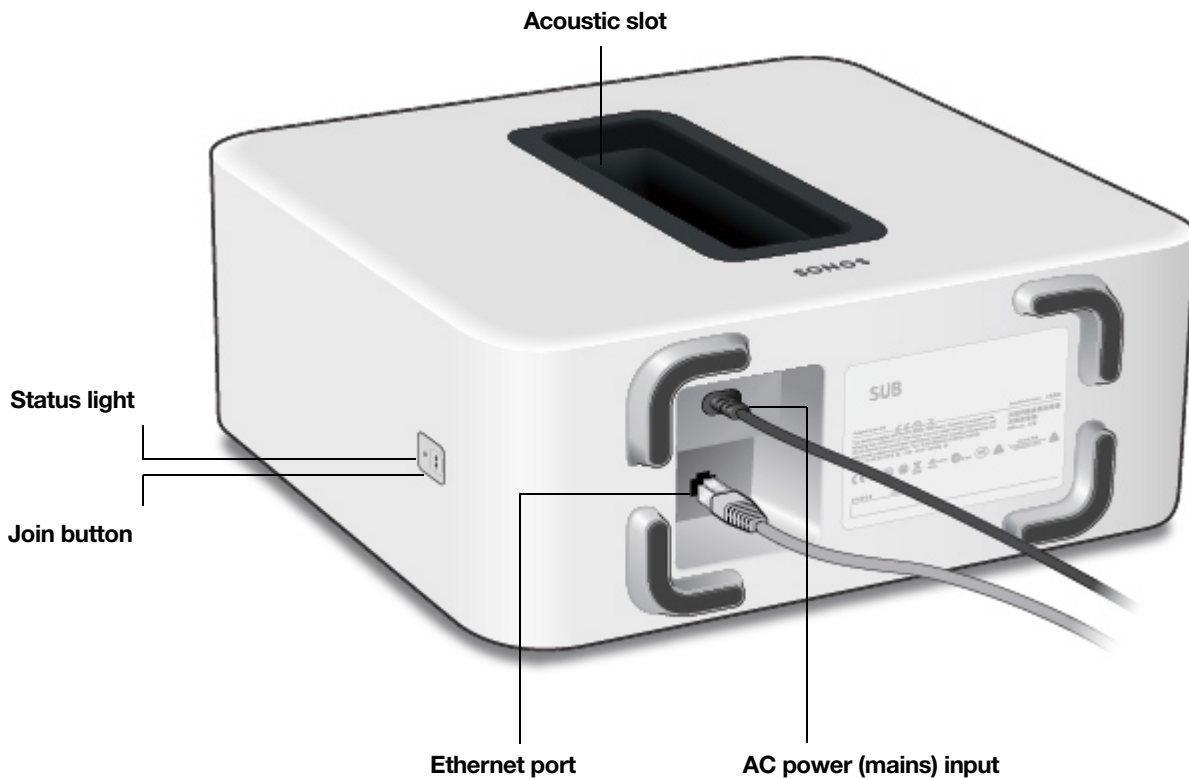
* Specifications subject to change without notice.

Sub

The Sonos Sub takes your audio experience to the next level—

- Instantly adds a dimension of deep bass impact to your audio listening experience.
- Allows placement anywhere because it's wireless and compact—position it vertically or horizontally on any floor surface.
- The top of the acoustic slot doubles as a handle so you can lift it.
- See [Getting started](#) when you're ready to add a Sub to your Sonos system.

Note: The Sonos Sub is designed for use with any Sonos speaker, except Sonos Connect. Make sure you set up at least one speaker before adding the Sub.



Controls and lights

Join button	Press to connect during setup.
Status light	Indicates the status. For more information, see https://faq.sonos.com/led .

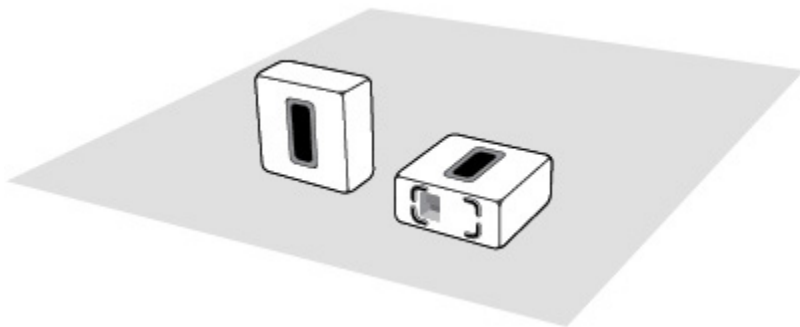
Connector panel

Ethernet port	Use an Ethernet cable to connect the Sub to your home network.
AC power (mains) input	Use only the supplied power cord to connect to a power outlet (using a third party power cord will void your warranty). Be sure to use the proper power adapter for your country. <i>Push the power cord firmly into the Sub until it is flush with the surface.</i>

Select a location

Choose a location—it's designed to provide optimal sound wherever you place it.

- Use the acoustic slot as a handle to lift Sub out of the box. You should always bend your knees when lifting heavy objects to avoid undue stress on your back.
- Make sure at least one side of the slot is free from obstruction. If you place it vertically against a wall, don't block the front opening. If you place the Sub horizontally on the floor, don't put anything on top of it.
- The Sub is designed to sit on the floor. You can place it in a corner, against the wall, behind, under, or next to any piece of furniture on any kind of floor surface.
- Position the Sub either vertically or horizontally. If you're going to use it horizontally, you can attach the permanent felt feet (included). See [Attach the feet](#) for more information.



Make sure at least one side of the rectangular opening (acoustic slot) is unobstructed.

- If you place the Sub vertically flush against a wall, don't block the front acoustic slot.
- If you place the Sub horizontally on the floor, don't put anything on top of it. Leave at least 1" clearance along the top of the Sub if placing under furniture.

SONOS USER GUIDE

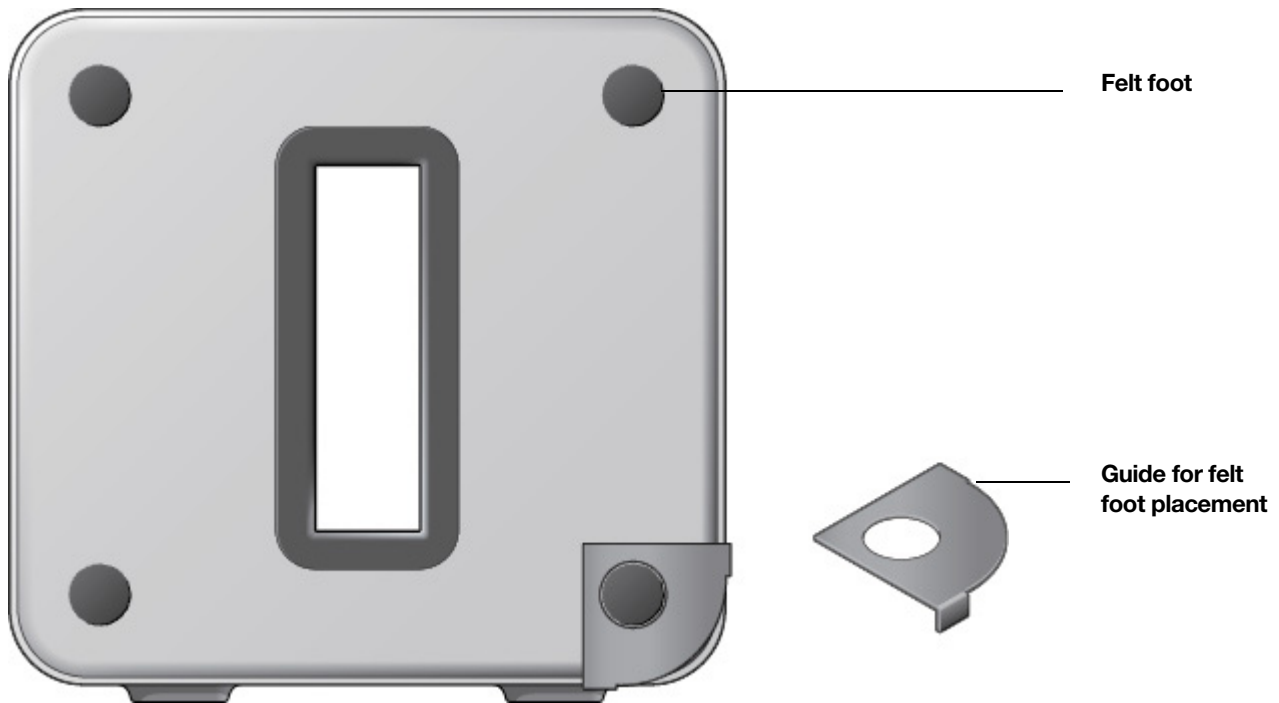
Note: The Sub contains strong magnets. Don't place the Sub near equipment that is sensitive to magnetic fields.

Attach the feet

If you're placing Sub horizontally on a floor, you can attach permanent felt feet (included) to protect your floor. If you're putting it on a rug or using it vertically, no need to adhere the felt feet.

Note: The felt feet are not removable—a strong adhesive will keep them permanently attached to the Sub.

1. Lay the Sub down so the Sonos logo is facing down. Make sure you adhere the felt feet to the side that doesn't have the Sonos logo.
2. Place the enclosed guide on one corner of the unit and fold the flaps over the edge.



3. Peel the backing off one of the feet.
4. Press the felt foot (sticky side down) onto the unit inside the circular portion of the guide.
5. Attach the other 3 felt feet the same way.

Connect the cables

Attach the power cord and plug in the Sub. *Be sure to push the power cord firmly into the Sub until it is flush with the surface.*



If you don't have the app, download it from the app store. You'll use it to set up and control your Sonos system. See [Getting started](#). Make sure you set up at least one speaker before adding the Sub.

Note: After the Sub is paired with a Sonos speaker, you won't see it displayed separately in **Rooms**. Any changes you make to that Sonos speaker (volume, mute, music selection) will also affect the Sub.

Sub settings

The Sub's settings are determined during the initial setup process. If you wish to make changes, follow the steps below to adjust how the Sub works with the associated Sonos product or stereo pair.

1. Tap **...** > **Settings** > **Room Settings**.
2. Select the room that is associated with the Sonos Sub. It appears as *Room (+Sub)* in **Room Settings**.
3. Tap **Advanced Audio** > **Sub Settings**.
4. Choose one of the following options:
 - **Sub:** Choose **On** or **Off** to turn the sound from the Sub on and off.
 - **Sub Level:** Use the slider to increase or decrease the volume of the Sub. (You can use this setting to match the subwoofer level to the level of your main speakers.)
 - **Phase Control:** Choose 0° or 180° to set the phase control for your Sonos Sub or third-party subwoofer. This can help integrate your subwoofer with other speakers in the room. (You'll see this setting when you pair a Sonos Sub or third-party subwoofer with a Sonos Amp or Connect:Amp.)
 - **Crossover Frequency:** Adjust the frequency at which the sound transitions to the subwoofer. By default this is 80 Hz.

You may wish to choose a different crossover frequency if:



- The main speakers sound distorted at high volumes—moving to a smaller speaker size setting can help.
- Your attention is drawn to the Sub's location while listening to music—moving to a larger speaker size setting can help.

1	Compact	110 Hz
2		100 Hz
3		90 Hz

4	Bookshelf / Ceiling	80 Hz
5		70 Hz
6	Floor	60 Hz
7		50 Hz

Recalibrate the Sub

After initial setup, you may wish to make some adjustments to optimize your Sub's performance. If you move the Sub to another location, purchase new speakers, or simply want to adjust the sound, follow the steps below to recalibrate the Sub. You can only do this with an Android device.

1. Touch **...** > **Settings** > **Room Settings**.
2. Select the room that is associated with the Sonos Sub. It appears as *Room (+Sub)* in **Room Settings**.
3. Select **Advanced Audio** > **Recalibrate Sub**.
4. Follow the prompts to optimize your Sub's performance:
 - Select the size of your stereo speakers (Connect:Amp only).
 - Press Play  to compare the volume of two test sounds, A and B, and then select **No Difference**, **A is louder** or **B is louder**.
 - Press Play  to listen to a test sound, and then select the level you prefer.

Pair Sub with a different speaker

You can easily pair Sub with a different Sonos speaker (any except the Sonos Connect).

If you are moving Sub to a new room, wait for the status light to stop flashing after you plug it back in.

1. Select **...** > **Settings** > **Room Settings**.
2. Select the room that is currently associated with the Sonos Sub. It appears as *Room (+Sub)* in **Room Settings**.
3. Select **Remove Sub**.
4. Choose one of the following settings:
 - If you want to pair the Sub with a different Sonos speaker, select **Choose Room for Sub**.
 - If you're not going to use the Sub right now, select **Don't use Sub**. It will appear on **Rooms** as *Sub (unused)* until you pair it with another Sonos speaker.

Specifications

Feature	Description
Audio	
Amplifier	Two Class-D digital amplifiers.

Feature	Description
Speakers	Two force-canceling speakers positioned face-to-face for deeper, richer sound and zero cabinet buzz or rattle.
Dual Acoustic Ports	Tuned to enhance the Sub performance.
Frequency Response	Plays down to 25 Hz.
All Digital Sound	All filter settings, active equalization, and time alignment are done digitally through state-of-the-art DSP (Digital Signal Processing) circuitry for zero-loss audio quality and energy.
Automatic Equalization	The system automatically adjusts audio settings across all connected components.
Networking*	
Ethernet Port	One 10/100Mbps Ethernet port. You can plug a Sonos product directly into your router if your Wi-Fi is unstable.
Wireless Connectivity	Connects to your home Wi-Fi network with any 802.11b/g/n router. 802.11n only network configurations are not supported—you can either change the router settings to 802.11b/g/n or connect a Sonos product to your router.
General	
Power Supply	Auto-switching 100-240 V, 50-60 Hz 2A AC universal input.
Dimensions (H x D x W)	15.3 x 6.2 x 15.8 in. (389 x 158 x 402 mm)
Weight	36.3 lb (16kg)
Operating Temperature	32°F to 104°F (0°C to 40°C)
Storage Temperature	-4°F to 158°F (-20°C to 70°C)
Multiple Orientations	Stand upright or lay flat for flexible placement.
Rubber and Felt Feet	Built-in rubber feet; optional felt feet included.
Supported Devices	Sub works with all Sonos products except the non-amplified Sonos Connect.
Package Contents	Sonos Sub, power cord, and Quickstart Guide.

* Specifications subject to change without notice.

Boost

For when existing Wi-Fi isn't reliable enough for streaming music—

- Boost broadcasts 360° signals through walls and ceilings for flawless coverage.
- Streams without interference in the most challenging Wi-Fi environments.
- Bypasses your Wi-Fi to create a separate high-performance wireless network just for Sonos speakers.

When to use a Boost

- Your Wi-Fi is slow or temperamental, or your network is already in high demand with streaming video, gaming, and internet usage.
- Wi-Fi doesn't reach all the rooms where you want to use Sonos. Extend the range of your Sonos system by placing a Boost in between the Sonos speaker that's out of reach and the rest of the Sonos system.
- Your network is 5 GHz only (not switchable to 2.4 GHz).
- Your router supports only 802.11n (you can't change the settings to support 802.11b/g/n).



Controls and lights

Join button	Press to connect during setup.
Status light	Indicates the status. For more information, see https://faq.sonos.com/led .

Connector panel



Ethernet ports (2)	Use an Ethernet cable if you want to connect to a router, computer, or network-attached storage (NAS) device (optional).
AC power (mains) input	Use only the supplied power cord (using a third-party power cord will void your warranty). Note: Be sure to use the proper power adapter for your country.

Select a location

If you purchased a Boost to replace a Sonos product that's connected to your router, first add the Boost to your Sonos system, then plug it into your router and move the one that was originally wired.

If you purchased a Boost to extend the range of your Sonos system, place the Boost in between the Sonos speaker that's out of reach and the rest of the Sonos system.

Plug it in and tap **...** > **Settings** > **Add Boost or Bridge**.

Wall mounting

1. Choose a location that's close to an electrical outlet (power cord length is 6 ft. / 1.8m), away from heat sources, hidden wiring, gas lines, etc.
2. Drive an American standard #6 round head screw (metric, M3.5 round head screw) into the wall, leaving a gap between the wall and the screw head (approximately 0.13 in / 3.3mm).

SONOS USER GUIDE

Note: Pan head screws will also work.

3. Place the Boost on the wall and slide straight down, allowing the screw head to slip behind the smaller end of the keyhole slot on the back of the Boost.

Specifications

Feature	Description
Ethernet Connection	2-port switch, 10/100 Mbps, auto MDI/MDIX
Network Bridging	2-port switch allows a connection to your network or to other Sonos speakers. Extend the range of SonosNet—use a Boost to extend the SonosNet signal to areas that cannot reach the rest of the Sonos system.
Wireless Connectivity	Works on SonosNet™, a secure AES encrypted, peer-to-peer wireless mesh network dedicated exclusively for Sonos to reduce Wi-Fi interference
Power Supply	Auto-switching 100 - 240V ~ 50-60 Hz 0.3A AC universal input.
Dimensions (H x W x D)	1.3 x 4.5 x 4.5 in. (33 x 115 x 115 mm)
Weight	0.42 lb (.191kg)
Recommended Mounting Screw	American standard #6 round head screw; Metric M3.5 round head screw
Operating Temperature	32°F to 104°F (0°C to 40°C)
Finish	White/high quality polycarbonate material
Package Contents	Sonos Boost, power cord, Ethernet cable, and Quickstart Guide.

* Specifications subject to change without notice.

Accessories

Find the perfect accessory for your Sonos system—tailored to perfectly fit your Sonos products.

- [Sonos Stand](#)
- [Sonos Shelf](#)
- [Wall Mount](#) for Beam
- [Wall Mount](#) for Playbar
- [Sonos Architectural by Sonance speakers](#)

For the full selection of Sonos-compatible stands, wall mounts, and cables, see [Accessories](#) on our website.

Sonos Stand

A set of custom-designed stands for Sonos One and Play:1 provide an elegant solution for placing your home theater surrounds.

- Indentation in the stem hides the speaker's power cable for simple cable management.
- Solid construction. The base has increased structural stability to eliminate wobbling, and bumpers secure your speakers in place
- Perfect height for home theater surrounds.
- Dimensions (H x W x D): 32.98 x 11.81 x 11.81 in. (837.8 x 300 x 300 mm)
- Weight: 12.3 lbs (5.58 kg) for the pair; 6.15 lbs (2.8 kg) each

What's in the box?

The kit contains a pair of Sonos stands. Each stand assembly includes:

- Base
- Stem
- Speaker platform
- Speaker platform bottom cover
- Stem top cap
- Mounting kit with 4 screws (2 silver, 2 black)

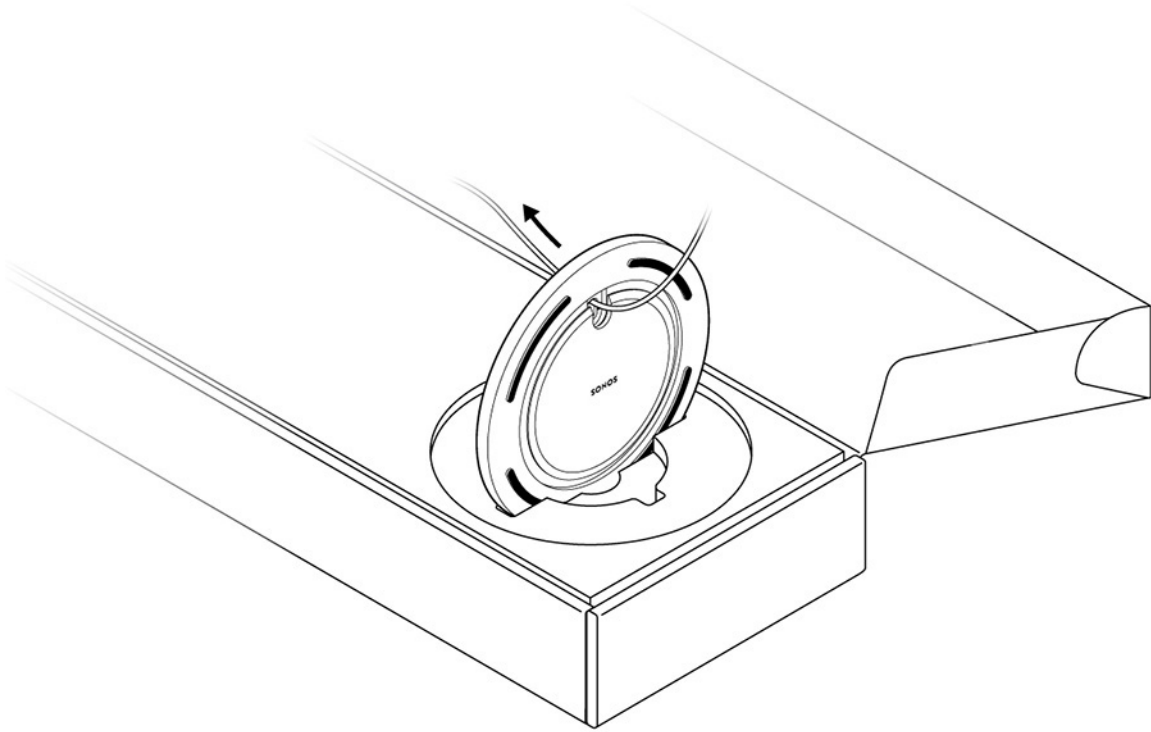
Note: Sonos speakers sold separately.

What you'll need

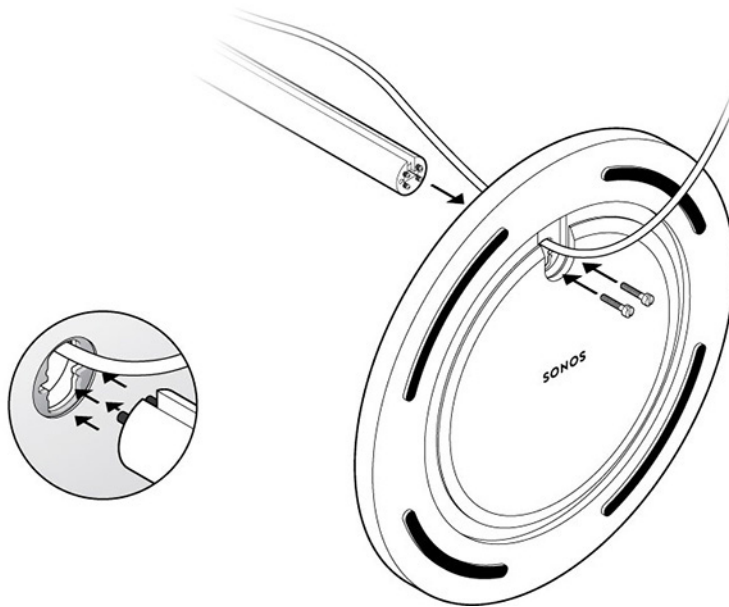
- Phillips-head screwdriver

Assembling your Sonos Stand

1. Take everything out of the box and place the base in the packaging slot to stabilize it for the next few steps. Unplug your Sonos speaker, and thread the speaker end of the power cord through the opening in the base.

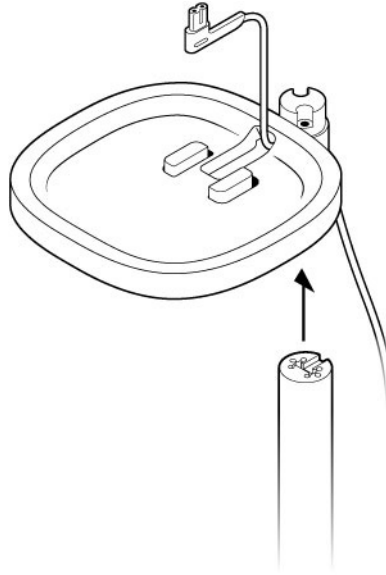


2. Insert the stem snugly into the base, using the alignment pins to position the power cord channel either in the front or back. Use the 2 black screws and a Phillips-head screwdriver to attach the base.

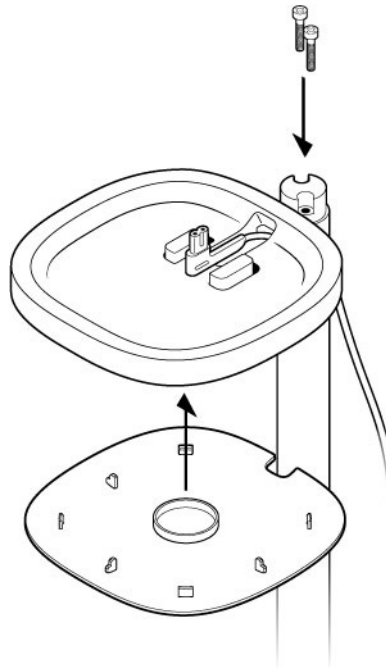


SONOS USER GUIDE

3. Route the speaker's power cord through the speaker platform.

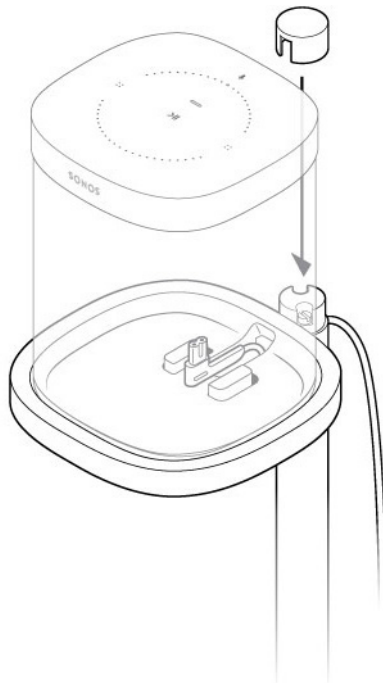


4. Use the 2 silver screws to attach the speaker platform to the top of the stem, threading the power cable carefully. Snap the bottom plate on with the power cable channel in the back, and mount the platform on the stem.

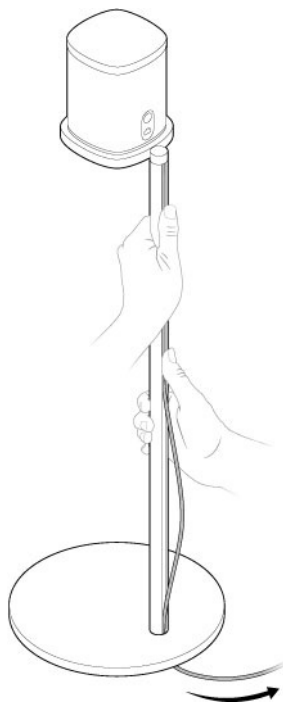


SONOS USER GUIDE

5. Plug the power cord back into the speaker and place on the top mount, pulling any extra cable down from the top. Tighten the screws and attach the top cap with the notch facing toward the speaker.

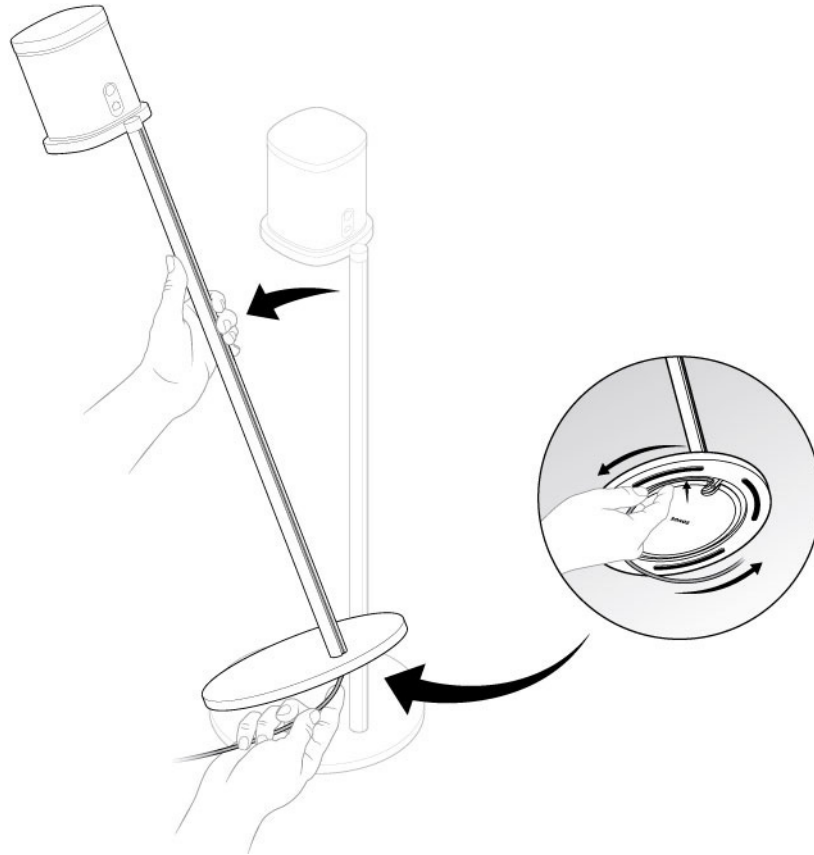


6. Press the power cord into the stem, working from top to bottom. Pull the excess cable down from the base.



SONOS USER GUIDE

7. Tilt the stand forward slightly to wrap the excess cord around the bottom of the base. Plug the speaker's power cable into the wall and enjoy the music!



Sonos Shelf

The easy-to-install shelf for Sonos One and Play:1 securely holds your speaker in place—its space-saving design provides a designated space for your speaker.

- Designed to support up to 8 lbs (3.6 kg)
- Dimensions (H x W x D): 0.89 x 10.23 x 6.29 in. (22.7 x 260 x 160 mm)
- Weight: 1 lb (0.45 kg)

What's in the box?

- Top shelf
- Wall bracket
- Bottom cover
- Mounting kit

Note: Sonos speakers sold separately.

What you'll need

- Pencil
- Phillips-head screwdriver

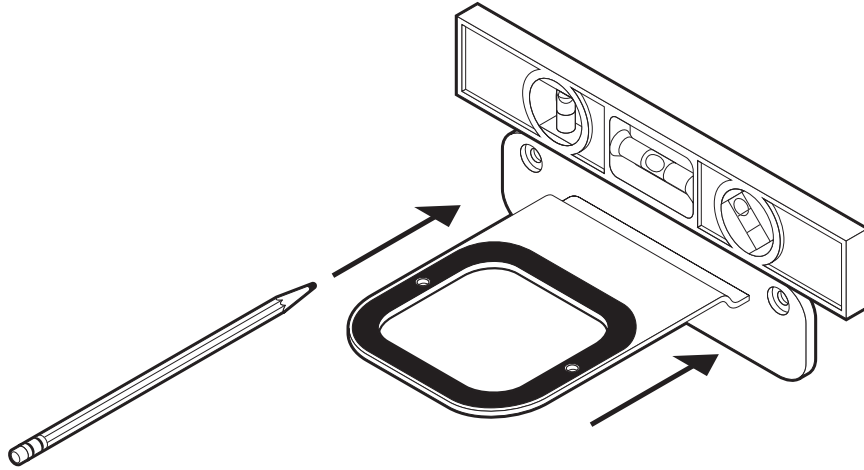
SONOS USER GUIDE

- Power drill (if needed for installation location)
- Level

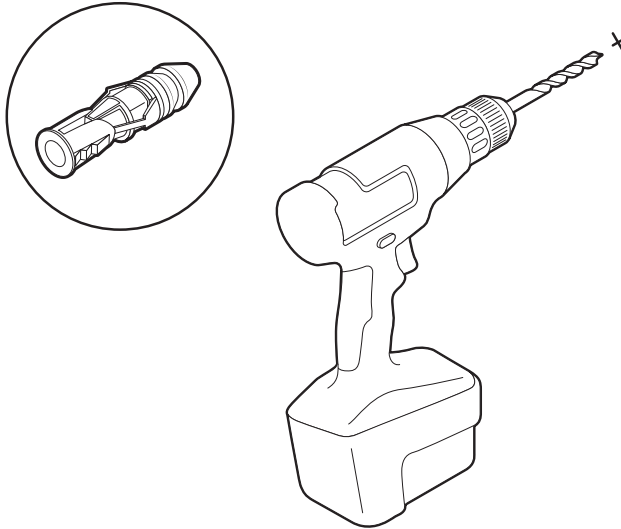
SONOS USER GUIDE

Assembling your Sonos Shelf

1. Place the wall bracket against the wall and mark the screw holes. (Make sure the black bracket foam ring is face up.)



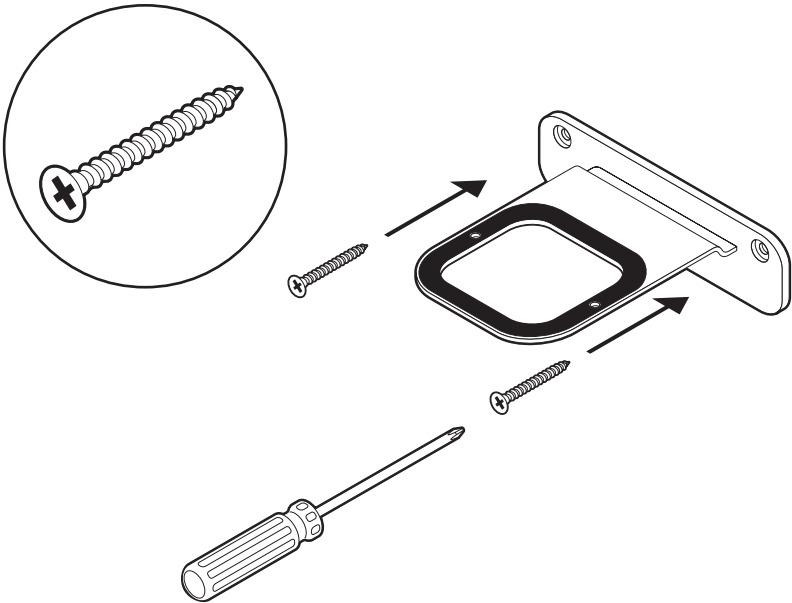
2. If using wall anchors, use a 5/16" drill bit to drill 2 pilot holes and then insert the wall anchors. Refer to the wall mounting information below for guidelines. Otherwise skip this step.



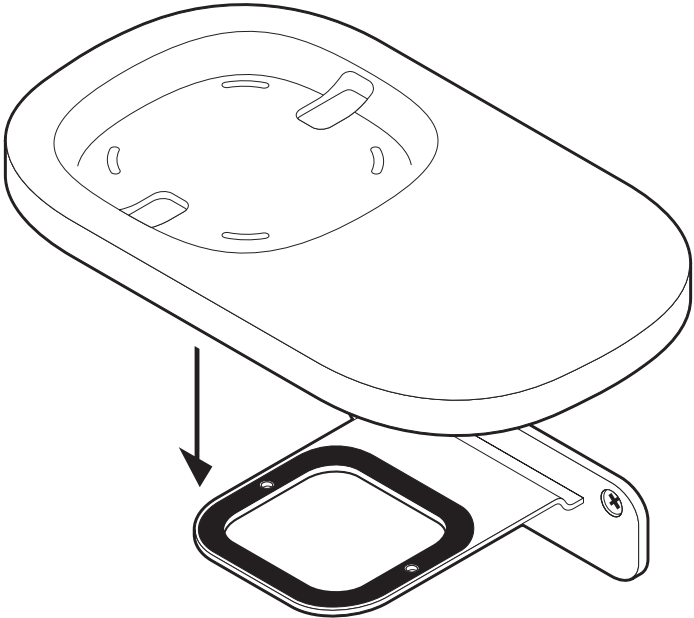
WALL MATERIAL	PRE-DRILL	USE WALL ANCHORS	USE SCREWS
Wood stud	1/8" / 3mm bit	No	Yes
Drywall (no stud)	5/16" / 8mm bit	Yes	Yes
Hard wallboard or double board	5/16" / 8mm bit	Yes	Yes
Plaster	5/16" / 8mm bit	Yes	Yes
Concrete or Brick	5/16" / 8mm bit	Yes	Yes

SONOS USER GUIDE

3. Use a Phillips-head screwdriver or a power drill to screw the bracket to the wall.

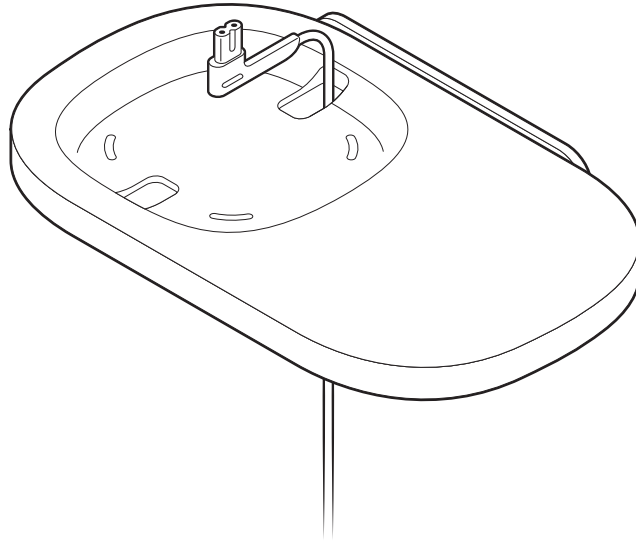


4. Position the shelf the way you want it (supports left or right speaker placement). Press the shelf firmly on to the wall bracket until it snaps into place (both front and back).

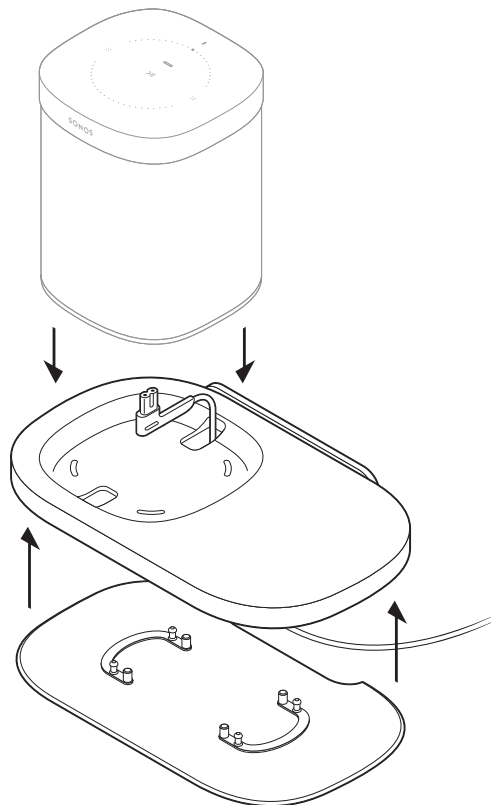


SONOS USER GUIDE

5. Route the speaker's power cord through the shelf opening. (You'll wrap the cord around the bottom of the shelf after it's assembled.)

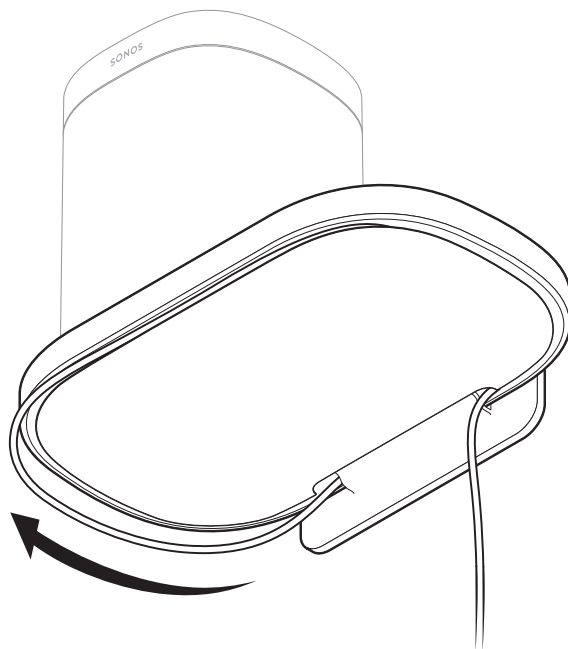


6. Press the bottom cover firmly onto the shelf until it snaps into place, carefully aligning the pins. Plug the power cord into the speaker and place the speaker on top of the shelf.

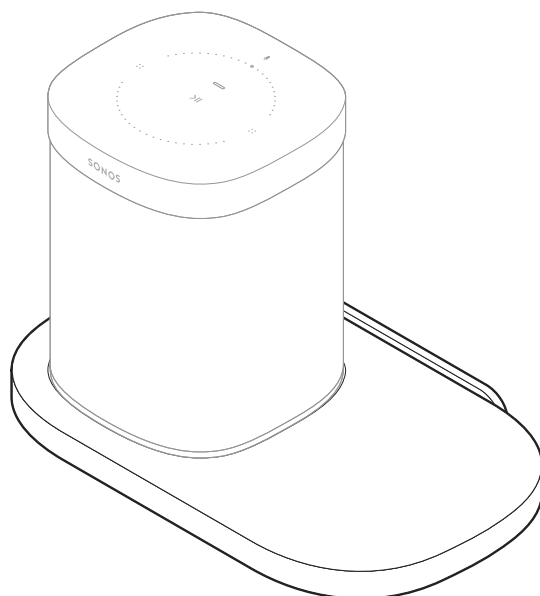


SONOS USER GUIDE

7. Wrap the excess power cord around the bottom of the shelf.



8. Your shelf assembly is complete—time to play some music!



Wall Mount for Beam

See [Wall Mount](#) for more information

Wall Mount for Playbar

See [Wall mounting](#) for more information

Sonos Architectural by Sonance speakers

Sonos Architectural by Sonance speakers include exclusively-designed audio enhancements when used with a Sonos [Amp](#). These enhancements include:

- Trueplay tuning (not applicable to outdoor speakers)
- Custom EQ settings
- Gain adjustment
- Dynamic bass extension
- Signal limiting/loudspeaker protection


To unlock Sonos audio enhancements

1. After you install your Sonos Architectural speakers and set up [Amp](#), go to **Room Settings** and choose the room your speakers are in.
2. Select **Advanced Audio** > **Detect Sonos Architectural** and follow the prompts.

Other accessories

For a full selection of wall mounts, stands, and cables, tailored to perfectly fit your Sonos products, see [Accessories](#) on our website.

Rooms

You can group all your speakers together to play the same music for a party, or let everyone in the house listen to something different. Tap  to see what's playing in each room.

See [Room settings](#) to customize a room.

Play music anywhere

Play different music in any or every room:

- If you're on the Now Playing screen, just tap  to choose where you want the music to play.


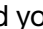
Or

- If you're browsing, tap **...** and select **Play in Another Room**.

Play the same music in more than one room:

- Just tap  > **Group**. If you're on the Now Playing screen, tap the room name and then tap **Group**.

Or

- If you're near a speaker, press and hold the  button. If different music is playing in different rooms, just press and hold  until you hear the sound you want.

Room settings

Customize your room's settings—tune the sound, change the room name, turn on or off the speaker's status light and touch controls, or create a stereo pair.

Tune your room with Trueplay™ (iOS)

Every room is different. With Trueplay tuning, you can put your speakers wherever you want. Trueplay analyzes room size, layout, décor, speaker placement, and any other acoustic factors that can impact sound quality. Then it adjusts how each woofer and tweeter produces sound in that room (works on mobile devices running iOS 8 or later).

Tap **...** > **Settings** > **Room Settings**. Pick a room and tap **Trueplay Tuning** to get started.

Note: Trueplay tuning isn't available if VoiceOver is enabled on your iOS device. If you want to tune your speakers, first turn VoiceOver off in your device settings.

Adjust EQ settings

Sonos speakers ship with the equalization settings preset to provide the optimal playback experience. You can change the sound settings (bass, treble, balance, or loudness) to suit your personal preferences. The loudness setting boosts certain frequencies, including bass, to improve the sound at low volume.

1. On a mobile device, tap **...** > **Settings** > **Room Settings**.
2. Select the room you want to adjust.

Change room name

If you move your speaker to a new room, you can change its name.

Tap **...** > **Settings** > **Room Settings** and choose a room to rename it.

Turn off the status light

There's a status light near the volume controls on each speaker to indicate that it's on and working fine. If the light is distracting, you can turn it off. If it ever flashes orange, go to <http://faq.sonos.com/led> for additional information.

Tap **...** > **Settings** > **Room Settings** and choose a room to turn the status light on or off.

Disable speaker touch controls

You can disable the buttons on your speaker so they won't respond to touch. You may want to do this so your child can't accidentally start and stop playback or change the volume.

Tap **...** > **Settings** > **Room Settings** and choose a room to turn the touch controls on or off.

Set max volume

You can set a maximum volume for each room.

1. Tap **...** > **Settings** > **Room Settings**.
2. Choose a room and tap **Volume Limit**.
3. Use the slider to set the maximum volume.

Turn off Wi-Fi

You can choose to turn off your speaker's Wi-Fi when you connect it to your network with an Ethernet cable. This reduces power consumption and can improve connectivity for some wired speakers.

For products like Amp, Connect, and Connect:Amp, turning off Wi-Fi can reduce the internal temperature when they're placed in a rack or stacked.

1. Tap **...** > **Settings** > **Room Settings**.
2. Choose a room and tap **Advanced Room**.
3. Toggle the Wi-Fi on or off.

Stereo pairs

Pair two Sonos speakers in the same room for a wider, stereo experience. One speaker serves as the left channel and one serves as the right channel.

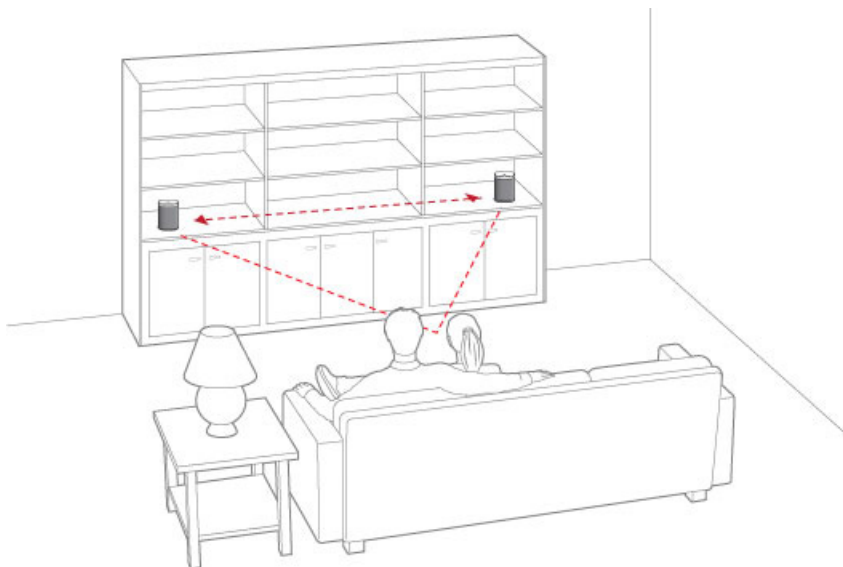
Note: The Sonos speakers in a stereo pair must be the same type.

Placement information

- Place the speakers 8 to 10 feet apart.

SONOS USER GUIDE

- Your favorite listening position should be 8 to 12 feet from the paired speakers—less distance increases bass, more distance improves stereo imaging.



Create a stereo pair

1. Tap **...** > **Settings** > **Room Settings**.
2. Choose a speaker and tap **Create Stereo Pair**.

After you pair your speakers, the room name includes (L + R).

Separate a stereo pair

1. Tap **...** > **Settings** > **Room Settings**.
2. Choose the stereo pair (room name includes (L + R)) and tap **Separate Stereo Pair**.

Voice-enabled stereo pairs

- If you're using Amazon Alexa in a stereo pair, Alexa is active on both speakers, but only responds from the speaker closest to you.
- If you're using the Google Assistant in a stereo pair, the Google Assistant is active on only one of the speakers.

Sonos home theater

Sonos products for your TV provide full-theater sound and play music too.

- **Beam**: compact soundbar with Amazon Alexa voice control, perfect for small to medium-sized rooms. Place on furniture or wall mount.
- **Playbase**: widescreen sound and music streaming, created especially for TVs on stands or furniture. Low profile design practically disappears under your TV.
- **Playbar**: powerful soundbar, perfect for use above or below wall-mounted TVs, or lay it flat on a table or console.
- **Amp**: versatile amplifier for powering all your entertainment.
- **Sub**: add dramatically deeper bass to any Sonos speaker, for home theater and music.

Create a home theater system when you wirelessly connect a pair of rear speakers and a Sub.

Add surrounds

It's easy to turn two Sonos speakers (same model) or two of your favorite non-Sonos speakers (with Amp or Connect:Amp) into separate right and left channels for your home theater.

Note: If you create a room group or a stereo pair instead, you won't have surround sound.

1. Tap **⋮** > **Settings** > **Room Settings**.
2. Choose the room with the home theater speaker and tap **Add Surrounds**.

Note: When you set up a Connect:Amp as surround speakers, you need to use Ethernet cables to connect both the home theater speaker and the Connect:Amp to your router. If you have a Playbar, you can wire your Connect:Amp to the Playbar, and then connect the Playbar to your router.

Change surround settings

When you add your speakers as surrounds, surround sound is optimized for your room. You can adjust these settings:

Surrounds	Turn surround sound On or Off .
TV Level	Adjust surround volume for TV audio.
Music Level	Adjust surround volume for music.
Music Playback	Ambient (subtle) or Full (louder, full range). Doesn't apply to TV audio.
Balance Surround Speakers	Manually balance your surround speakers.

1. Tap **⋮** > **Settings** > **Room Settings**.
2. Choose the room with the surround speakers (name includes (+LS+RS)).
3. Select **Advanced Audio** > **Surround Settings** and change the settings.

Remove surrounds

If the speakers were part of your Sonos system before you added them as surrounds, they'll revert back to their previous room names. Otherwise, they'll appear as **Unused** in **Rooms**.

1. Tap **...** > **Settings** > **Room Settings**.
2. Choose the room with the surround speakers (name includes (+LS+RS)) and tap **Remove Surrounds**.

Voice-enabled surrounds

If you're using Amazon Alexa:

- If you have a Beam with surrounds, Alexa is only active on the Beam.
- If you have a Playbar or Playbase with surrounds, Alexa is active on both speakers, but only responds from the speaker closest to you.

If you're using the Google Assistant:

- If you have a Beam with surrounds, the Google Assistant is only active on the Beam.
- If you have a Playbar or Playbase with surrounds, the Google Assistant is active on only one of the surrounds.

Add a Sub

The Sonos Sub takes your audio experience to the next level—

- Powerful, deep impact bass for your home theater and your music.
- Allows placement anywhere because it's wireless and compact—position it vertically or horizontally on any floor surface.
- The top of the acoustic slot doubles as a handle so you can lift it.

To add a Sub, tap **...** > **Add Speakers**. See [Sub](#) for more information.

Adjust home theater settings

Use the app to change sound settings or modify the way your home theater speaker works with your TV. Refer to [The Sonos app](#) to get more information.

Note: You can also use the Sonos app for Mac or PC.

TV Dialog Settings

If TV audio is out of sync with video, use the app to adjust the audio delay (lip sync).

1. Tap **...** > **Settings** > **Room Settings** and select the room.
2. Tap **Advanced Audio** > **TV Dialog Settings**.
3. Drag your finger across the **Audio Delay (Lip Sync)** slider to increase or decrease the sound delay.

TV Autoplay

TV Autoplay—if music is playing when you turn on your TV, the music stops and the home theater speaker switches to TV audio (default). If you don't want the music to stop automatically, you can turn off **TV Autoplay**.

Ungroup on Autoplay—if your home theater speaker is grouped with other speakers when you turn on the TV, it drops from the group (default). If you don't want this to happen automatically, you can turn off **Ungroup on Autoplay**.


1. Tap **⋮** > **Settings** > **Room Settings** and select the room.
2. Tap **TV**.

Enhance TV sound

When you're watching TV, the Now Playing screen in the app includes sound enhancement settings. These features are only visible when you're looking at the room where your home theater speaker is located.

Speech Enhancement

Makes TV dialog easier to hear.

Tap  on the Now Playing screen to turn on or off.

If you have an Amazon Alexa-enabled home theater speaker, you can say “[insert utterance here]” to turn on or off.

Night Sound

Enhances quiet sounds and reduces the intensity of loud sounds. Turn on to reduce the volume while still experiencing proper balance and range.

Tap  on the Now Playing screen to turn on or off.

If you have an Amazon Alexa-enabled home theater speaker, you can say “[insert utterance here]” to turn on or off.

Program your remote control

During setup, you'll program your remote control. You can program a different remote control any time.

1. Open the app and tap **⋮** > **Settings** > **Room Settings**.

Note: You can also use the Sonos app for Mac or PC to program your remote.

2. Choose the room.
3. Tap **Remote** > **Remote control setup**.

If you have a home theater speaker, you can set it to ignore commands from your remote control by tapping **Remote** > **Use IR**.

Note: Some TVs show unnecessary messages when you adjust the volume. You may be able to turn these off. See [Turn off volume control messages](#).

Troubleshooting for home theater speakers

Warning: Don't open the product as there is a risk of electric shock. Under no circumstances should the product be repaired by anyone other than an authorized Sonos repair center, as this will invalidate the warranty. Please contact Sonos Customer Support for more information.

Customer Support

- Visit our website at www.sonos.com/support
- Email us at support@sonos.com

Speaker not detected during setup

- Make sure your system is updated to the current software.
- Insert the power cord fully into the home theater speaker and your power source.
- Move speaker closer to your router.

Can't turn off TV's speakers

If you're using the optical adapter, during setup you'll turn off your TV's speakers. Refer to your TV owner's guide for more information.

If you can't turn them off,

1. Use the TV's volume buttons to turn the volume completely down. Don't use the **Mute** button.
2. Use only the volume buttons on your Sonos app to adjust the volume.

Turn off volume control messages

Some TVs may show volume control messages when you adjust the volume, even after you turn off your TV speakers. (If you have Beam, this happens if it's connected to your TV using the optical adapter.)

You may be able to program your remote control to turn off these messages.

1. Program a device key.
 - Refer to your remote control's instructions or the cable box's on-screen help.
 - Contact your cable service provider for more help.
2. In the code list, search for the Sonos code.
 - If Sonos doesn't appear, select a code *other than that of your TV and its connected devices*.
 - *DON'T initiate an automated search for a code.*
3. Lock the volume control to your home theater speaker.

Note: This feature is sometimes referred to as volume lock or volume punch.

4. Program your remote control to work with your home theater speaker.

Universal remote controls

If you can't program your universal remote control, or want to turn off volume control messages when you adjust the volume, you may want to try switching to a Logitech Harmony universal remote.

Logitech universal remote controls

You'll need to add your home theater speaker as a device.

1. Use the USB cable provided by Logitech to connect your Harmony remote to your computer.
2. Set up a Logitech user account and install the Harmony Remote software.
3. Launch the Logitech Harmony Remote software or go to www.logitech.com/myharmony and login to your account.
4. Select **Add Device**.
5. Choose an option:
 - Logitech Harmony Remote software
 - My Harmony website
6. Select or enter Sonos as the manufacturer and your home theater speaker as the model name/number.

Note: You may need to add your home theater speaker if it doesn't exist in the database.

Voice services

You can use your voice to play and control songs, playlists, radio stations, and more.

Note: Voice control isn't supported in every country yet—this feature will be available as soon as Sonos and a voice service launch together in your region.

Control Sonos with Amazon Alexa

You'll need the Alexa app with the Sonos skill enabled. If you don't have it, we'll guide you through it during setup.

You'll also need your Sonos account information. If you can't remember it, tap **...** > **Settings** > **Account Settings**.

If you have a Sonos speaker with built-in voice control:

1. Add your Sonos speaker.
2. Tap **...** > **Voice Services** in the Sonos app and choose Amazon Alexa.
During setup, you'll make changes in both the Sonos and Alexa apps.

Note: Learn more about how Alexa works in [stereo pairs](#) and [surrounds](#).

If you have an Alexa device:

Just enable the Sonos skill in the Alexa app and you can use your Alexa device to control the music on any Sonos speaker.

Say the room name whenever you ask Alexa to play the music:

- Alexa, play some music in the Bedroom.
- Alexa, turn up the volume in the Living Room.

Note: You don't have to say the room name if your Alexa device is in an [Alexa Group](#).

If you have an Amazon Fire TV:

If you own both an Alexa-enabled Sonos speaker and an Amazon Fire TV, you can control your Fire TV with your voice. [Learn more](#).

Alexa Groups

You can set up Alexa Groups in the Alexa app to improve your voice control experience on Sonos.

- You can play music and control volume without having to say the room name. So instead of saying "Alexa, play Leon Bridges in the kitchen," just say "Alexa, play Leon Bridges."
- The volume no longer lowers in all rooms when you're talking to Alexa—it lowers only in the room where you're using voice commands.

To set up Alexa Groups:

1. Open the Alexa app on your mobile device and tap **Devices**.

SONOS USER GUIDE

2. Tap **+** and **Add Group**.
3. If prompted, select **Group**, and set a name for your group.
4. Choose your Alexa-enabled devices and Sonos speakers you want to have in this group, then tap **Save**.
5. Tap the group you just created and tap **Setup** under **Preferred Speaker**.
6. Pick the same speaker(s) that you've put into this group. These are the Sonos products that will respond when you give voice commands to this group.
7. Repeat this process for other rooms and areas of your home until all of your Sonos and Alexa-enabled devices are in Alexa Groups.

Music Services and Alexa

You can ask Alexa to play music from popular streaming services.

- Make sure your music services are set up in both the Sonos and Alexa apps.
- Choose default music services from the music preference settings in the Alexa app. You can choose a music library and a streaming station preference.

See which music services are compatible with Alexa on [our website](#).

Things you can try with Alexa...

- “Alexa, play some jazz music.”
- “Alexa, play more like this.”
- “Alexa, volume up.”

Note: Sonos doesn't support Alexa voice calling.

Control Sonos with the Google Assistant

Make sure you've got the Google Assistant app. You'll make some changes in both the Sonos and the Google Assistant apps during setup.

You'll also need your Sonos account information. If you can't remember it, tap **...** > **Settings** > **Account Settings**.

If you have a Sonos speaker with built-in voice control:

1. Add your Sonos speaker.
2. Tap **...** > **Voice Services** in the Sonos app and choose Google Assistant.
During setup, you'll make changes in both the Sonos and the Google Assistant apps.

Note: Learn more about how the Google Assistant works in [stereo pairs](#) and [surrounds](#).

If you have a Google Home device:

Add your Sonos speakers in the Google Assistant app so you can use your Google Home device to play and control the music on any Sonos speaker.

Music Services and the Google Assistant

You can ask the Google Assistant to play music from popular streaming services.

- Make sure your music services are set up in both the Sonos and the Google Assistant apps.
- Choose default music services from Settings in the Google Assistant app.

See which music services are compatible with the Google Assistant on [our website](#).

Things you can try with the Google Assistant...

- “Hey Google, play a song in the living room.”
- “Hey Google, play 98.5 FM.”
- “Hey Google, turn it up.”

Note: Sonos doesn’t support Google Assistant voice calling.

Use Siri to Control Apple Music

Just add your AirPlay 2-compatible* Sonos speakers to the Apple Home app and then use an iPhone, iPad, or Apple TV to ask Siri to play music (currently limited to Apple Music).

1. Open the Home app and tap + or **Add Accessory**.
2. Choose “Don’t Have a Code or Can’t Scan?”
3. Tap the speaker you want to add.
4. Pick the same room name that’s used in the Sonos app.

Note: AirPlay 2-compatible Sonos speakers include Sonos One, Beam, Play:5, Amp, and Playbase.

Voice service settings

You can change the language of your voice service’s wake word. You can also turn off the chime you hear whenever you say a wake word.

Just tap **...** > **Settings** > **Room Settings** and choose the room with your voice service.

Remove a voice service

1. Tap **...** > **Settings** > **Room Settings**.
2. Choose the room with your voice service.
3. Tap the voice service to remove it from the room.


Play music

You can get the music playing on Sonos a number of ways—choose whichever control works best in the moment. Use the Sonos app, your own music service app, ask Alexa, or use AirPlay to stream audio to Sonos. If you're near a speaker, use the controls on your speaker to resume an earlier listening session or change the song.

If you want to change where the music is playing, see [Play music anywhere](#).

Note: When Sonos has been inactive for awhile, you'll be asked to choose the room where you want music to play. If you don't want to choose a room each time, go to **Settings** > **Advanced Settings** and turn off **Confirm Location**.

The Sonos app

The free Sonos app is the easiest way to play anything and everything on Sonos. Simply open the app, tap  and choose from the list of [Music sources](#).

If you don't have the Sonos app, download it from the app store. To learn more about how the app works, see [The Sonos app](#).

Voice commands

If you have a Sonos One, Beam, or Alexa device, you can use your voice to play and control the music. Ask Alexa to play your favorite radio station or the top hits on Spotify.

To use Alexa with Sonos, you'll need the Alexa app with the Sonos skill enabled—if you don't have it, go to [Control Sonos with Amazon Alexa](#) and we'll guide you through setup.

Note: Over time we'll add more voice services and skills. Voice control isn't supported in every country yet—this feature will be available as soon as Sonos and a voice service launch together in your region.

Controls on the speaker



If you're near a speaker, you can use the speaker controls to adjust volume, stop the music, or change the song.

On Sonos One, Play:5, Beam, Playbase, and Amp:





Volume control

- Touch and hold to quickly change the volume:
 - **Volume up** (right); **Volume down** (left).
-

	Play/Pause	<ul style="list-style-type: none"> • Press <i>once</i> to play or pause music. • Press and hold to add the music that's playing in another room.
	Next/Previous	<ul style="list-style-type: none"> • Swipe right across the touch controls to skip to the next song. • Swipe left to go to the previous song. <p>Note: You can't skip forward or go back when listening to a radio station.</p>

On Play:1, Play:3, Playbar, Connect:Amp, and Connect:

	Volume up (+) Volume down (-)	<p>Press to adjust the volume.</p> <p>Note: You can also use the app.</p>
	Play/Pause	<ul style="list-style-type: none"> • Press <i>once</i> to play or pause music. • Press <i>twice</i> to skip to the next song (if applicable to the selected music source). • Press <i>three times</i> to skip to the previous song. • Press and hold to add the music playing in another room. <p>Note: You can't skip forward or go back when listening to a radio station.</p>

For more information about using your speaker, see [Explore our products](#).


Your music service app

You can control Sonos directly from some music apps (like Spotify and Pandora). Just open the music service app and connect to a Sonos room or group to start the music.

AirPlay 2

You can use AirPlay 2 to stream music, movies, podcasts, and more directly from your favorite apps to your Sonos speakers. Listen to Apple Music on your Sonos One. Watch a YouTube or Netflix video and enjoy the sound on Sonos.

Note: To use AirPlay, you need a Sonos speaker that supports it (Sonos One, Play:5, Playbase, Amp, and Beam) and an iOS device. Other Sonos speakers can play AirPlay audio when you group them with an AirPlay compatible Sonos speaker. See [Play music anywhere](#) for more information about grouping rooms.

1. Swipe up from the bottom of your iPhone or iPad to open the Control Center. If you have an iPhone X, swipe from the top right corner of the screen.
2. Press and hold the audio card in the upper-right corner, then tap .

SONOS USER GUIDE

3. Tap a speaker or speakers to stream to.

You can also use AirPlay directly from many of your favorites apps.

Grouping non-compatible AirPlay speakers

To choose whether or not your speakers that aren't AirPlay-compatible stay grouped with speakers that are playing AirPlay, tap **•••** > **Settings** > **AirPlay**.


Music sources

Sonos gives you easy access to all the music you love—play your favorite artist’s newest single from Spotify, your favorite playlist from your phone, a local news radio station, and much more.

- **Radio by TuneIn:** select from more than 100,000 free internet radio stations, podcasts, and shows.
- **Music services:** explore and manage your music services—add your own or try something new.
- **Stored on your mobile device:** play music you’ve downloaded to your phone or tablet.
- **Stored on your computer:** play music stored on your computer or any Network-Attached Storage (NAS) device.
- **From other audio devices:** play music from an external audio device, like a turntable.

Note: When Sonos has been inactive for awhile, you’ll be asked to choose the room where you want music to play. If you don’t want to choose a room each time, go to **Settings > Advanced Settings** and turn off **Confirm Location**.



Radio by TuneIn

- Tap  > **Radio by TuneIn** to browse through radio stations.
- Tap a station to play the music.
- **Save your favorites.**

If you can’t find what you need, go to <https://faq.sonos.com/radio>.

Change your local radio location

See what’s playing around the world.

1. Tap  > **Radio by TuneIn > Local Radio**.
2. Next to the current Local Radio location, tap **...** (iOS) or  (Android) > **Change Location**.

Add a custom radio station

Add a radio station that’s not in the radio guide to your Favorites. You need to know the streaming URL, and the station has to use the streaming MP3, HLS/AAC, or WMA broadcast format.

1. Open the Sonos app on your computer.
2. From the **Manage** menu, select **Add Radio Station**.
3. Type or paste the radio station’s streaming URL (for example: <http://shoutcast.com/sbin/shoutcast-playlists.pls?rn=8107&file=filename.pls>).
4. Enter the radio station’s name in the **Station Name** field.
The new station appears in your **My Radio Stations** list.

Edit a custom radio station

1. Open the Sonos app on your computer.
2. From the **MUSIC** pane, select **Radio by TuneIn** and choose **My Radio Stations**.

3. Click ▼ next to the station you want to edit, and choose **Edit Radio Station**.
4. Change the streaming URL or the station name.

Music services

Free. Premium. Curated. On-demand. Sonos works seamlessly with most music and content services, as well as downloads from any service offering DRM-free tracks. Service availability varies by region. For a complete list, see <http://www.sonos.com/music>.

Add a music service

1. Tap ... > **Add Music Services**.
2. Select the music service and follow the prompts.
You can add multiple accounts for the same service.

Note: Some music services may not be available in your country. Check the music service's website for more information.


Change the music service account name

The account name appears under the music service.

1. Tap ... > **Settings** > **My Music Services**.
2. Select a music service account and tap **Change name**.

Set the default music service account

If you have multiple accounts for the same service you can set a default account. If you use a shared device to control Sonos, you can switch to your personal account so that changes, such as liking an artist, affect only your account.

1. Tap  .
2. Select a music service.
3. Tap the music service's name and select an account.
The default account name appears below the music service.

Change your music service password

1. Change your password on the music service provider's website.
2. In the Sonos app, tap ... > **Settings** > **My Music Services**.
3. Select a music service account and tap **Change Password**.

Note: If you don't change your music service's password first, the service won't work on your Sonos system.

Remove a music service account

1. Tap ... > **Settings** > **My Music Services**.
2. Select a music service account and tap **Remove account**.

From your music service app

You can control Sonos directly from some music apps (like Spotify and Deezer). Just open your music service app and connect to a Sonos room or group to start the music.

Stored on your computer

Use a computer to set up your music library. Then you can manage it using the Sonos app on your computer or mobile device.

Note: To play your music library, make sure the computer or NAS device storing your music library is on and connected to the same Wi-Fi as Sonos.

Add a music library

1. Open the Sonos app on your computer.
2. Go to **Manage > Settings > Music Library**.
3. On the Folders tab, select **Add** and follow the prompts.

View music library folders

On your mobile device, tap **... > Settings > Manage Music Library > Music Library Setup**.

The music folders that you've shared with Sonos appear.

Remove a music library

1. On your mobile device, tap **... > Settings > Manage Music Library > Music Library Setup**.
2. Select a folder and delete it.

Update the music index

Sonos indexes your music library so you can view your music by category. If you add music, update the index to add the music to your music library.

1. On your mobile device, tap **... > Settings > Manage Music Library**.
2. Tap **Update Music Index Now > Scan Now**.

Schedule automatic updates


1. Tap **... > Settings > Manage Music Library**.
2. Turn on **Schedule Music Index Updates**.
3. Tap **Music Index Update Time**, and select the time.

Play music from imported playlists

Sonos is compatible with iTunes playlists, as well as M3U, WPL and PLS playlist files created with third-party software. Sonos doesn't change music or playlist files created by other applications; these files are read-only.

1. Drop the playlist file (.PLS, .M3U or .WPL) into the same music folder you shared to Sonos.

SONOS USER GUIDE

2. Update your music index.
3. Tap  > **Music Library** > **Imported Playlists**.

iTunes support

iTunes playlists import into **Imported Playlists** as long as you share the '*iTunes Music Library.xml*' file with your music to Sonos. This file is usually in the iTunes folder.

When you change your iTunes playlist(s), exit iTunes, and update your Sonos music index to see the changes. See [Update the music index](#).

Sort folders

Sort your music folders by song name, song number, or file name.

1. Tap **...** > **Settings** > **Manage Music Library**.
2. Tap **Sort Folders By** and select your preference.

Contributing artists

Set your preferences to show or hide individual artists.

1. Tap **...** > **Settings** > **Manage Music Library**.
2. Turn on **View Contributing Artists**.

Compilation albums

If your music collection contains compilations and soundtracks, you can group these songs in your music library instead of viewing them by individual artist.

Group using Album Artists

Windows Media Player, and some other players, use the Album Artist category to group compilations and soundtrack albums.

1. Tap **...** > **Settings** > **Manage Music Library** > **Compilation Albums**.
2. Tap **Use Album Artists**.

Group using iTunes compilations

You can organize compilations and soundtrack albums as *[Compilations]/[Album]/[Song name]*.

1. In iTunes, mark songs as part of compilations: highlight the song and select **Edit** > **Get Info**.
2. Check the **compilation** checkbox.
3. Select **View** > **Column Browser** > **Group Compilations**.
4. In the Sonos app, tap **...** > **Settings** > **Manage Music Library** > **Compilation Albums**.
5. Tap **Use iTunes Compilations**.

Play music from UPnP servers

Sonos plays music from compatible UPnP servers on your Wi-Fi.

1. Enable UPnP in your music service app.
2. Tap **...** > **Settings** > **Advanced Settings** and turn on **Show UPnP Servers**.

From other audio devices

You can connect an audio device like a turntable, stereo, or MP3 player to a Play:5, Amp, Connect, or Connect:Amp and stream the audio to Sonos. Just plug in any device you want, then go to **Browse > Line-In** and select the source.

To an external source like a pre-amped turntable:

- **Amp/Connect/Connect:Amp**—Plug a standard RCA cable into the analog **Audio In** connections on the back of your Sonos speaker.
- **Play:5**—You need a 3.5mm to 3.5mm stereo audio cable.

To a portable music player:

- **Amp/Connect/Connect:Amp**—Use a 1/8" mini-stereo to RCA audio cable—plug the mini-stereo end into the portable device and the RCA end into the **Audio In** connection on the Sonos speaker.
- **Play:5**—You need a 1/8" (3.5mm) mini-stereo to RCA audio cable.

Change the settings

1. Go to **... > Settings > Room Settings**. Choose the Sonos speaker the source is connected to and touch **Advanced Audio > Line-In**.
2. You can change the following settings:
 - **Line-In Source Name:** Choose a name from the list.
 - **Line-In Source Level:** A default (typical) line-in source level is automatically assigned for each source. If the volume sounds too low, you can choose a higher line level. (You may experience clipping at higher volume levels if you set the level too high.)
 - **Autoplay Room:** Choose the room you want this line-in source to play in whenever it's connected to Sonos.
 - **Include Grouped Rooms:** Turn on if you want the line-in source to play in rooms that are grouped with the autoplay room.
 - **Use Autoplay Volume:** Click the **Use Autoplay Volume** box if you want to use the external source to adjust the volume in the autoplay room. Use the slider to set a default volume.

Line-in encoding settings

When you have line-in music sources attached to a Sonos product, line-in encoding determines how Sonos will encode the data coming in from these sources. Your Sonos system defaults to *automatic* in order to provide the optimal playback experience. Sonos recommends you don't change this default. However, if you decide to make a change, we recommend the following usage guidelines:

Use **Uncompressed** if:

- You want optimal performance with home theaters.
- You want to produce the highest quality sound for your Sonos system (this selection requires more network bandwidth than compressed audio.)

Use **Compressed** if:

- You are connecting more than 4 rooms wirelessly.
- You are in an environment with heavy wireless interference and are experiencing dropouts.




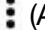
To change the line-in encoding setting, tap **... > Settings > Advanced Settings > Audio Compression**.

Save your favorites

When you find music you love, just add it to **My Sonos** so the music you love is easy to find. You can save, play, and manage your favorite music and playlists all in one place.

Note: You can't save songs on your mobile device to My Sonos because they travel with you and aren't always available to play on your Sonos system.

Add favorites to My Sonos



1. Find your favorites:
 - Tap  or  to discover music.
 - If you're listening to music you love, go to Now Playing.
2. Tap  (iOS) or  (Android) > **Add to My Sonos**.

Edit My Sonos

Delete, rename, or rearrange your favorites.

Tap  > **Edit**.

My Sonos opens and your favorites appear.



- Rearrange categories—touch and hold to drag a category to a different place.
- Delete a favorite—tap  (iOS) or  (Android).
- Delete a category—delete all its favorites.
- Rename a favorite—tap it and enter a new name.

Sonos playlists

Build playlists of your favorite songs and albums and save the playlist to My Sonos. See [Customize the queue](#) for more information.

Note: Songs on your mobile device can't be saved to a Sonos playlist because they travel with you and aren't always available to Sonos.

Build a playlist


Create a new playlist or add music to an existing playlist. From search results, or from Now Playing, tap  (iOS) or  (Android) > **Add to Sonos Playlist**.

Edit a playlist

Tap  and choose a playlist. Tap  (iOS) or  (Android) and **Edit Playlist**.

- Delete a song—tap  (iOS) or  (Android).

SONOS USER GUIDE

- Move a song—touch and hold  and drag the song to a new location.

Alarms and sleep timer

Wake to music that you love by setting an alarm with a favorite song, station or playlist.

Set an alarm

1. Tap **...** > **Alarms** > **New Alarm**.
2. Select the time and other settings, including:
 - **Room:** Set the alarm to play in a room or group of rooms
 - **Music:** Choose the music to hear when waking up
 - **Alarm Duration:** Set the alarm to sound for any amount of time
 - **Snooze Alerts:** Turn on Snooze Alerts when you want the option to sleep a little longer.

To change an alarm, tap it and modify the settings.

Snooze an alarm

1. Open the alarm.
2. Tap **Snooze Alerts**.
3. Tap **Snooze Duration** to change the time between alerts.

Turn on an alarm

1. Tap **...** > **Alarms**.
2. Tap the alarm's switch and turn it on.

Delete an alarm

1. Tap **...** > **Alarms**.
2. Tap the alarm and tap **Delete Alarm**.

Set a sleep timer

Fall asleep to music—set a timer for the music to turn off.

1. From Now Playing, tap **...** (iOS) or **⋮** (Android) > **Sleep Timer**.
2. Select a time.

Sonos system updates

Sonos regularly adds new features so your listening experience is always improving. Your Sonos speakers can update automatically in the background so you always have the latest features without interrupting your listening.

1. Tap **...** > **Settings** > **System Updates**.
2. Turn on automatic updates and tap **Scheduled** to select a time. (Your system won't update if music is playing or a Sonos alarm is scheduled during the selected time frame.)

Want to manage your system updates manually? Tap **...** > **Settings** > **System Updates** and tap **Check for Update**.

For more information, go to <https://faq.sonos.com/autoupdates>.

Settings

Tap **...** > **Settings** to customize the app and your home's sound.

Sonos accounts

During setup you'll create a Sonos account that you'll use to manage and expand your Sonos system—both in the app and on www.sonos.com.

If you need to verify your user ID, change a password, or transfer your account to a different email address, tap **...** > **Settings** > **Account**.

If **Account** isn't available your system needs to be updated.

In-app messages

We'll keep you up to date by sending notifications and important messages to you through the app. You can turn off messaging anytime.

1. Sign in to your account at www.sonos.com and tap **My Account**.
2. Tap **Profile** > **Edit Profile**.

Usage data

To help us improve our products and services, Sonos would like to collect usage data about how you use your Sonos system. We never provide any of this information to third parties. To learn more, go to our website at www.sonos.com/legal/usage-data.

You can change your preference setting at any time.

1. Touch **...** > **Settings**.
2. Touch **Advanced Settings** > **Usage Data**.

Beta program

Join the Sonos Beta Program to test new features and help us improve our products.

1. Tap **...** > **Settings** > **Advanced Settings**.
2. Tap **Beta Program**.

Volume control

You can control the volume on your Sonos system using speaker touch controls, the app, or your voice (if you have a voice-enabled speaker). Here are a few additional ways to control the volume.

Control volume using your device's buttons

Use your mobile device's volume buttons to control the volume on Sonos even when you're not in the app.

- On an iOS device, tap **...** > **Settings** > **App Settings** > **Hardware Volume Control**.

Note: If you're playing audio from another source, using AirPlay or Bluetooth, listening through headphones, or have Apple VoiceOver enabled, you won't be able to use your mobile device's buttons.

- On an Android device, tap **...** > **Settings** > **Advanced Settings** and turn on these options:
 - **Show Notifications**
 - **Show Lock Screen Controls**
 - **Allow Volume Control on Home Screen**

Parental controls

You can restrict access to explicit music.

Tap **...** > **Settings** > **Parental Controls**.

Sign into your Sonos account to set filter options.

Note: You can also limit the maximum volume for a room. For more information, see [Set max volume](#).

Accessibility options

Turn on accessibility options to support low vision issues.

On your mobile device, go to **Settings** to turn on VoiceOver (iOS), TalkBack (Android) and other accessibility options.

Join another Sonos system

The Sonos app gives you quick and easy access to all the Sonos systems you use regularly, like those at work and at home. When you connect to another Sonos system, you'll see the music services associated with that system.

1. Connect your mobile device to the same Wi-Fi as Sonos.
2. Open the app and tap **Let's Connect**.

The next time your device joins that network, you'll connect to Sonos automatically.

Note: To remove a Sonos system, tap **...** > **Settings** > **Advanced Settings** > **Forget Current Sonos System**.

Switch to wireless setup

If you have a Sonos speaker wired to your router and you'd like to use it in another room, switch to wireless setup. If you have a Bridge or Boost connected to your router, leave it connected.

DON'T DISCONNECT the Sonos product from your router until you complete these steps:

1. Go to **...** > **Settings** > **Advanced Settings** > **Wireless Setup**.
Sonos detects your wireless network.
2. Enter your wireless network's password.
3. Once the password is accepted, disconnect the speaker from the router and move it to a new location.

Got a new router or network password?

If you have a wireless setup (no Sonos product connected to your router):

After you install a new router or change your network password, update your Sonos system with the new network information. Just open the Sonos app and we'll walk you through it.

If you have a wired setup (there's a Sonos product connected to your router):

You don't have to do anything when you install a new router (as long as you connect a Sonos product to it) or when you change your password. Your Sonos speakers will continue to work as before.

Turn off Sonos

To stop the music in a room or group, pause or stop the music in the app or on the speaker.

Sonos uses minimal electricity when it is not playing music.

Important safety information

Please read these instructions and heed all warnings. Keep them in a convenient location and make sure everyone in the household is aware of them.

Location

- Don't use the unit near water.
- Don't expose apparatus to dripping or splashing and don't place objects filled with liquids, such as vases, on the apparatus.
- Don't place the unit where it will be exposed to excessive heat (e.g., radiators, heat registers, stoves), direct sunlight, or a dusty environment (e.g., woodworking shop.)
- Don't place the unit where it will be exposed to flammable liquids and/or fumes.
- Allow at least 1" between the unit and any walls or surfaces.
- Protect the power cable from being walked on or pinched, particularly at plugs, convenience receptacles, and the point where it exits the product. The mains cord should be readily available to disconnect the power.
- The product should not be used near water—avoid close proximity to a bathtub, kitchen sink, laundry tub, wet basement, swimming pool, etc.
- The speaker is for indoor use only. Don't expose to rain or snow.

Proper Ventilation

- Leave one inch of open space around the sides and above the unit to ensure proper ventilation.
- Ventilation should not be impeded by covering the ventilation openings with items such as tablecloths, curtains, or papers.
- Don't let foreign objects into the unit. If a foreign object should get into the unit, unplug the unit and contact Sonos for servicing guidance.

Warning

- Don't operate or handle the product with wet hands.
- Only use attachment/accessories specified by Sonos.
- Unplug the power cord during lightning storms or when unused for long periods of time.
- Never disassemble or modify the product in any way.

Cleaning & maintenance

- Dust with a dry, soft cloth. A cloth moistened with water or gentle household cleaner may be used to clean dirt or stains, but unplug the product first. Don't spray liquids directly onto the product.
- Don't use chemical solvents (e.g. alcohol, benzene, paint thinner) or other flammable cleaning liquids.
- Refer all servicing to Sonos qualified service personnel. Servicing is required when the unit or the power cord has been damaged in any way, if liquid or other foreign matter has fallen into the ventilation

SONOS USER GUIDE

openings, the unit has been exposed to rain or moisture, or the unit has been dropped.



Warning: To reduce the risk of fire or electric shock, don't expose this apparatus to rain or moisture.

Product guide feedback?

We'd love to hear from you! We'll read your feedback carefully and use it to help us improve our product guides. Write to us at: docfeedback@sonos.com

If you're having a problem with your Sonos system, please contact Customer Care so they can help. Email them at support@sonos.com.

Need more help?

- Tap **...** > **Help & Tips** to get some simple tips for getting the most out of your speakers.
- Visit our Frequently Asked Questions (FAQ) pages at www.sonos.com/support.
- Ask us a question at support@sonos.com.